

KitchenAid®

REFRIGERATOR OVERLAY MODEL

Use & Care Guide

For questions about features, operation/performance, parts, accessories or service, call: **1-800-422-1230**
In Canada, call for assistance **1-800-461-5681**, for installation and service, call: **1-800-807-6777** or visit our website at...
www.kitchenaid.com or www.KitchenAid.ca

RÉFRIGÉRATEUR MODÈLE OVERLAY

Guide d'utilisation et d'entretien

Au Canada, pour assistance composez le **1-800-461-5681**, pour installation ou service composez le **1-800-807-6777** ou visitez notre site web à...
www.KitchenAid.ca

Table of Contents/Table des matières..... 2

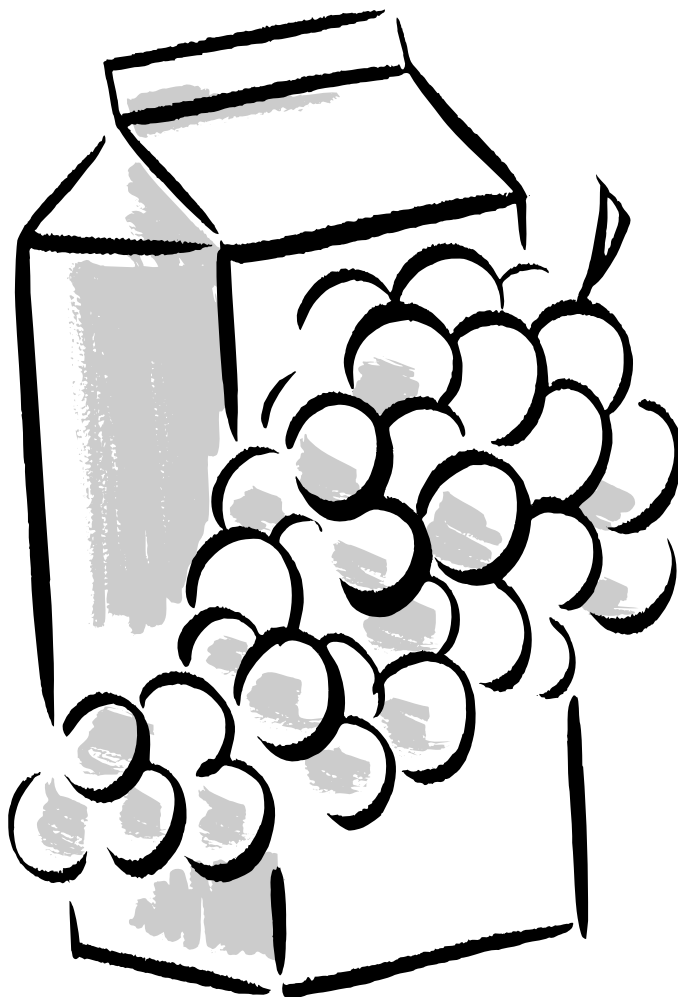


TABLE OF CONTENTS

REFRIGERATOR SAFETY	2
Proper Disposal of Your Old Refrigerator	3
INSTALLATION REQUIREMENTS	3
Tools and Parts	3
Custom Overlay Panel	3
Location Requirements	4
Electrical Requirements	5
Unpack the Refrigerator	5
Install Custom Overlay Panel	5
Door Closing	9
Base Grille	9
REFRIGERATOR USE	9
Normal Sounds	9
Using the Control	10
REFRIGERATOR FEATURES	10
Split-level shelf	10
Lower Shelf	10
Wire Storage Bin	10
DOOR FEATURES	10
Can Rack	10
Door Bin	10
REFRIGERATOR CARE	11
Cleaning	11
Changing the Light Bulb	11
Vacation and Moving Care	11
TROUBLESHOOTING	12
ASSISTANCE OR SERVICE	13
In the U.S.A.	13
In Canada	13
Accessories	13
WARRANTY	14

TABLE DES MATIÈRES

SÉCURITÉ DU RÉFRIGÉRATEUR	15
Mise au rebut de votre vieux réfrigérateur	15
EXIGENCES D'INSTALLATION	16
Outillage et pièces	16
Panneau décoratif personnalisé	16
Emplacement d'installation	17
Spécifications électriques	18
Déballage du réfrigérateur	18
Installation du panneau décoratif personnalisé	18
Fermeture de la porte	22
Grille de la base	22
UTILISATION DU RÉFRIGÉRATEUR	22
Sons normaux	22
Utilisation de la commande	23
CARACTÉRISTIQUES DU RÉFRIGÉRATEUR	23
Tablette à deux niveaux	23
Tablette inférieure	23
Compartiment de rangement métallique	23
CARACTÉRISTIQUES DE LA PORTE	24
Porte-cannettes	24
Balconnet de porte	24
ENTRETIEN DU RÉFRIGÉRATEUR	24
Nettoyage	24
Changement de l'ampoule d'éclairage	25
Précautions à prendre pour les vacances et avant un déménagement	25
DÉPANNAGE	26
ASSISTANCE OU SERVICE	27
Aux États-Unis	27
Au Canada	27
Accessoires	27
GARANTIE	28

REFRIGERATOR SAFETY

Your safety and the safety of others are very important.

We have provided many important safety messages in this manual and on your appliance. Always read and obey all safety messages.



This is the safety alert symbol.

This symbol alerts you to potential hazards that can kill or hurt you and others.

All safety messages will follow the safety alert symbol and either the word "DANGER" or "WARNING."

These words mean:

⚠ DANGER

You can be killed or seriously injured if you don't immediately follow instructions.

⚠ WARNING

You can be killed or seriously injured if you don't follow instructions.

All safety messages will tell you what the potential hazard is, tell you how to reduce the chance of injury, and tell you what can happen if the instructions are not followed.

IMPORTANT SAFETY INSTRUCTIONS

WARNING: To reduce the risk of fire, electric shock, or injury when using your refrigerator, follow these basic precautions:

- Plug into a grounded 3 prong outlet.
- Do not remove ground prong.
- Do not use an adapter.
- Do not use an extension cord.
- Disconnect power before servicing.
- Replace all parts and panels before operating.
- Remove doors from your old refrigerator.
- Use nonflammable cleaner.
- Keep flammable materials and vapors, such as gasoline, away from refrigerator.
- Use two or more people to move and install refrigerator.

SAVE THESE INSTRUCTIONS

Proper Disposal of Your Old Refrigerator

WARNING

Suffocation Hazard

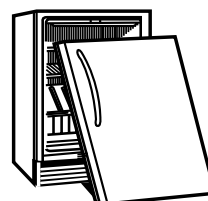
Remove doors from your old refrigerator.

Failure to do so can result in death or brain damage.

IMPORTANT: Child entrapment and suffocation are not problems of the past. Junked or abandoned refrigerators are still dangerous – even if they will sit for “just a few days.” If you are getting rid of your old refrigerator, please follow these instructions to help prevent accidents.

Before you throw away your old refrigerator or freezer:

- Take off the doors.
- Leave the shelves in place so that children may not easily climb inside.



INSTALLATION REQUIREMENTS

Tools and Parts

TOOLS NEEDED:

Assemble the required tools and parts before starting installation. Read and follow the instructions provided with any tools listed here.

- Hand drill or electric drill (properly grounded)
- $\frac{7}{64}$ " Allen wrench
- $\frac{7}{64}$ " Drill bit
- Phillips screwdriver
- $\frac{5}{16}$ " Drill bit
- Flat-blade screwdriver
- Chamfer bit
- Scissors
- #16 Drill bit
- Masking tape
- #7 Drill bit
- Tape measure
- Petroleum jelly

PARTS NEEDED:

Custom Overlay Door Panel—See “Overlay Panel Dimensions.”
Hardware (Optional)

PARTS SUPPLIED:

- 8 mm nylon insert (2)
- #6 x $\frac{1}{2}$ " flat-head screw (2)
- Nylon spacer $\frac{3}{8}$ " diam. x .19 ID (8)
- #10 x $\frac{5}{8}$ " round-head screw (8)
- Cardboard spacer
- #8—32 x $\frac{3}{8}$ " hex sems screw (2)
- Pivot plate (wood)
- #8—32 x $\frac{1}{2}$ " flat-head screw (6)
- Pivot plate (top)
- Door closer—top
- Pivot Bracket (top)
- Door closer—bottom
- Pivot Post (2)
- Bottom hinge
- Top hinge

Custom Overlay Panel

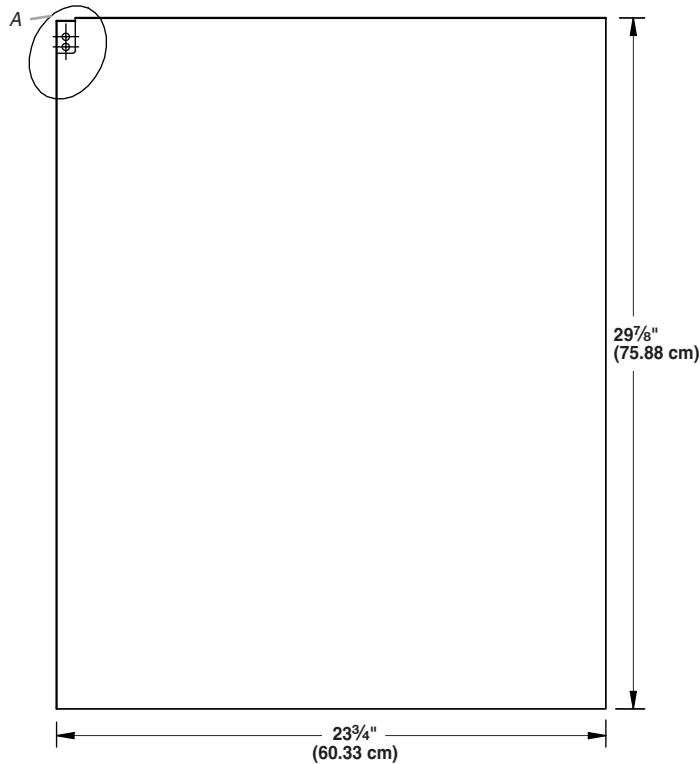
If you plan to install a custom overlay panel, you will need to create the panel yourself or consult a qualified cabinetmaker or carpenter. See dimension drawings for panel specifications.

IMPORTANT:

- The thickness of the wood overlay must be $\frac{3}{4}$ " (1.91cm).
- Overlay panel must not weigh more than 20 lbs. (9.07 kg).
- Overlay panel weighing more than recommended may cause damage to your refrigerator.
- Before creating the custom overlay panel, determine the direction you want the door to swing. Custom overlay panels are hinge specific. A panel that is created for a right-hinge door swing cannot be used for a left-hinge door swing. See "Overlay Panel-Rear View."

Overlay Panel—Rear View

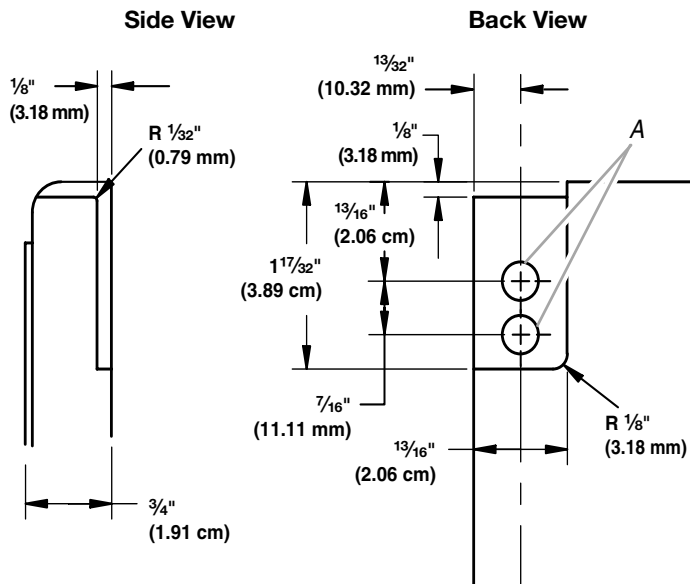
Create the custom overlay door panel using the dimensions shown. The rear view of overlay panel shows right-hand hinge. Mirror the image for left-hand hinges. See "Pivot Plate Relief" for additional dimensions.



A. Pivot plate location

Pivot Plate Relief

1. Route the top and back of the overlay panel to create the pivot plate relief as shown.
2. Drill two screw holes in the back of the pivot plate relief as shown.

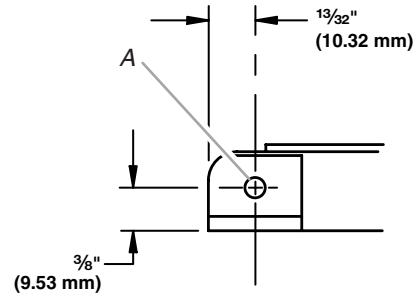


A. 5/16" diam. x 1/2" deep
(7.94 mm x 1.25 cm)

Door Hinge Holes

1. Using a #16 drill bit, drill an 1 1/16" (1.75 cm) deep hole into the top of the overlay panel for the top hinge pin as shown.

Top View

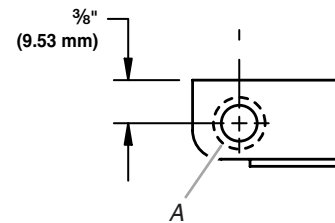


A. Top hinge-pin hole

2. Drill a 5/16" diam x 1/4" deep (7.94 mm x 6.35 mm) hole in the bottom of the overlay panel for the bottom hinge as shown.

NOTE: CHAMFER 1/32" (.79 mm) x 45°.

Bottom View



A. Bottom hinge-pin hole

Location Requirements

⚠ WARNING



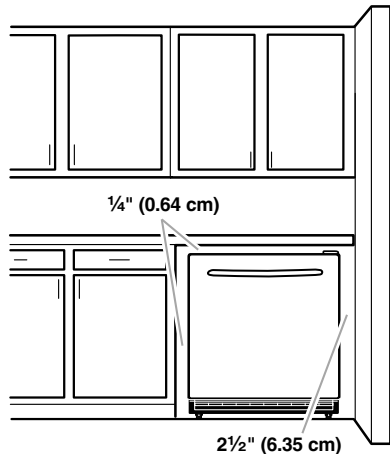
Explosion Hazard

Keep flammable materials and vapors, such as gasoline, away from refrigerator.

Failure to do so can result in death, explosion, or fire.

To ensure proper ventilation for your refrigerator, allow for a 1/4" (0.64 cm) space on each side and at the top. When installing your refrigerator next to a fixed wall, leave 2 1/2" (6.35 cm) minimum clearance on each side to allow for the door to swing open.

NOTE: It is recommended that you do not install the refrigerator near an oven, radiator, or other heat source. Do not install in a location where the temperature will fall below 55°F (13°C). For best performance, do not install the refrigerator behind a cabinet door or block the base grille.



Electrical Requirements

⚠ WARNING



Electrical Shock Hazard

Plug into a grounded 3 prong outlet.

Do not remove ground prong.

Do not use an adapter.

Do not use an extension cord.

Failure to follow these instructions can result in death, fire, or electrical shock.

Before you move your refrigerator into its final location, it is important to make sure you have the proper electrical connection.

Recommended grounding method

A 115 Volt, 60 Hz., AC only 15- or 20-amp fused, grounded electrical supply is required. It is recommended that a separate circuit serving only your refrigerator be provided. Use an outlet that cannot be turned off by a switch. Do not use an extension cord.

NOTE: Before performing any type of installation, cleaning, or removing a light bulb, unplug refrigerator or disconnect power.

Unpack the Refrigerator

⚠ WARNING

Excessive Weight Hazard

Use two or more people to move and install refrigerator.

Failure to do so can result in back or other injury.

Remove the Packaging

- Remove tape and glue residue from surfaces before turning on the refrigerator. Rub a small amount of liquid dish soap over the adhesive with your fingers. Wipe with warm water and dry.
- Do not use sharp instruments, rubbing alcohol, flammable fluids, or abrasive cleaners to remove tape or glue. These products can damage the surface of your refrigerator. For more information, see “Refrigerator Safety.”
- Properly dispose of packaging.

When Moving Your Refrigerator:

Your refrigerator is heavy. When moving the refrigerator for cleaning or service, be sure to protect the floor. Always pull the refrigerator straight out when moving it. Do not wiggle or “walk” the refrigerator when trying to move it, as floor damage could occur.

Clean Before Using

After you remove all of the package materials, clean the inside of your refrigerator before using it. See the cleaning instructions in “Refrigerator Care.”

Important information to know about glass shelves and covers:

Do not clean glass shelves or covers with warm water when they are cold. Shelves and covers may break if exposed to sudden temperature changes or impact, such as bumping. For your protection, tempered glass is designed to shatter into many small, pebble-size pieces. This is normal. Glass shelves and covers are heavy. Use special care when removing them to avoid impact from dropping.

Install Custom Overlay Panel

IMPORTANT:

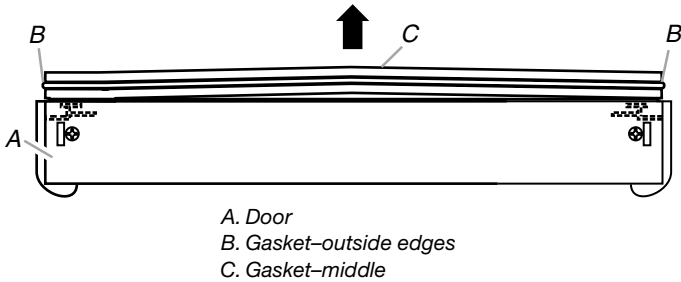
- Create custom overlay panel according to the specifications in the “Custom Overlay Panel” section.
- KitchenAid is not responsible for the removal or addition of decorative panels that would prevent the refrigerator from being serviced.

Remove the Door

1. Using a $\frac{7}{64}$ " Allen wrench, remove the top hinge screw pin.
2. Tilt the door forward and lift it off the bottom hinge pin. Remove the refrigerator door. Discard the top and bottom hinges.

Remove the Gasket

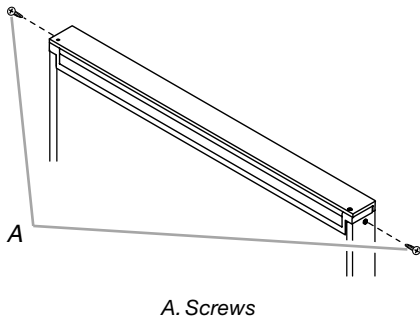
1. Place the refrigerator door on a soft clean working surface with the door gasket facing upward.
2. Remove the door gasket. To keep the gasket from tearing, gently pull it out of the door beginning in the middle and working toward the outside edges.



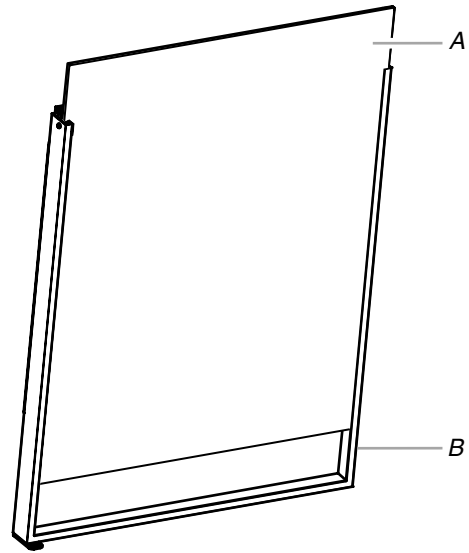
Remove the Sheet-Metal Panel

1. Remove the two screws located on both sides of the top trim piece. Remove the top trim piece.

NOTE: Do not discard the two screws. Set aside for use during “Assemble the Door.”



2. Lift the sheet-metal panel up and out of the door frame as shown.

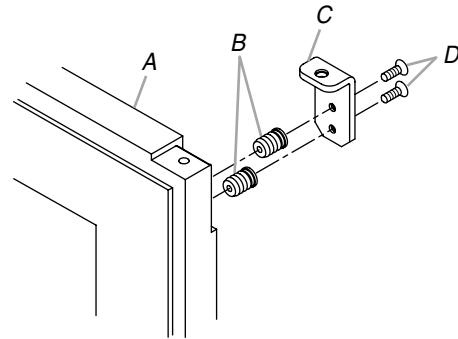


A. Sheet-metal panel
B. Door frame

3. Set the sheet-metal panel aside for later use. See “Attach the Overlay Panel to the Sheet-metal Panel.”

Attach the Pivot Plate

1. Tap the nylon inserts into the two holes drilled in the overlay panel.
2. Using two #6 screws, attach the pivot plate to the top of the overlay panel as shown.



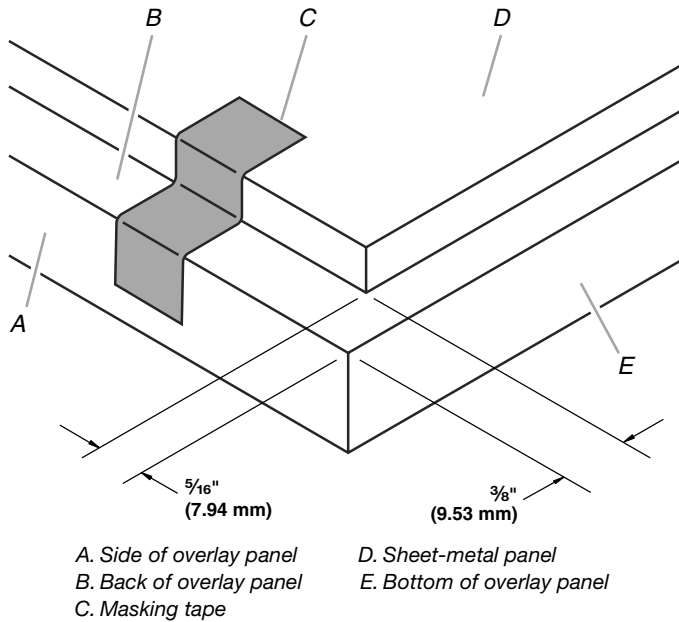
A. Overlay panel
B. 8mm nylon inserts
C. Pivot plate
D. #6 x $\frac{5}{8}$ " flat-head screws

3. If required, attach optional cabinet handle to the overlay panel.

NOTE: If an optional cabinet handle is installed, be sure to countersink the mounting screws.

Attach the Overlay Panel to the Sheet-metal Panel

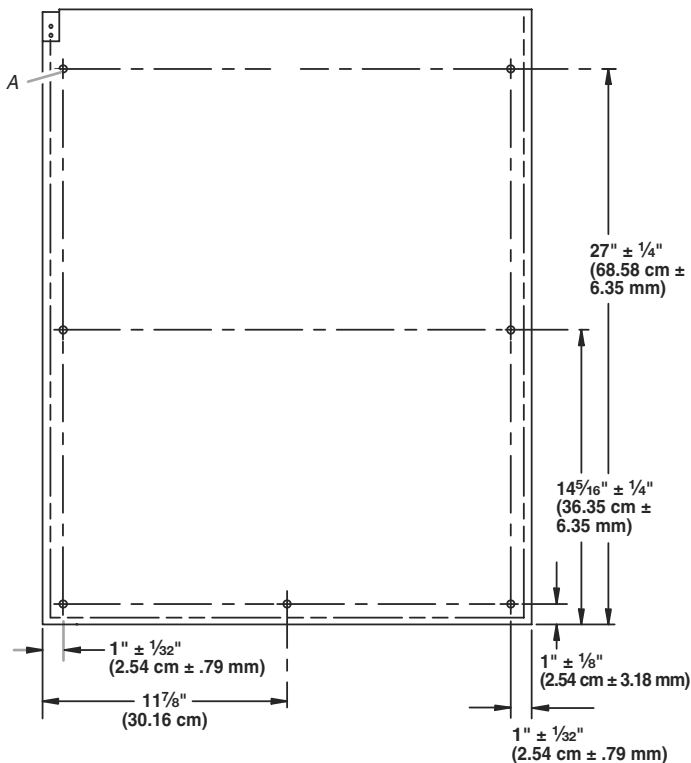
1. Place the overlay panel face down on a soft, clean surface.
2. Secure the front of the sheet-metal panel to the back of the overlay panel with masking tape.



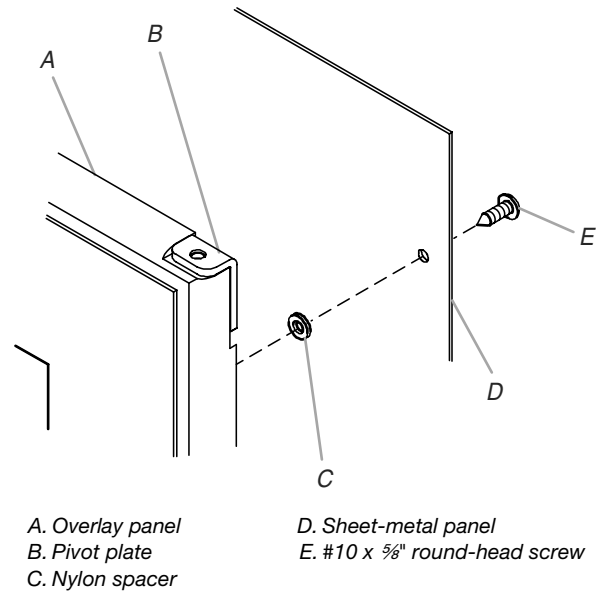
3. Drill seven $\frac{5}{32}$ " x $\frac{3}{8}$ " (3.97mm x 9.53 mm) deep holes through both panels as shown.

IMPORTANT:

- Do not drill deeper than $\frac{3}{8}$ " (9.53 mm).
- For the door to operate correctly, properly align the sheet-metal panel and overlay panel.

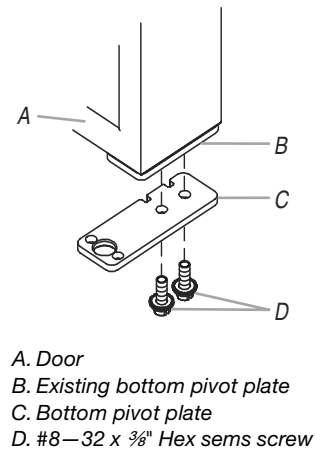


4. Remove the tape from the overlay panel assembly.
5. Separate the overlay panel from the sheet-metal panel. Set the overlay panel aside for later use.
6. Using a #7 drill bit, enlarge the seven holes in the sheet-metal panel by drilling through the sheet-metal panel.
7. Place nylon spacers between the sheet-metal panel and overlay panel.
8. Using eight #10 x $\frac{5}{8}$ " round-head screws, attach the overlay panel to the sheet-metal panel as shown.



9. Remove the existing bottom pivot plate and discard. Install the new bottom pivot plate.

NOTE: When installing the bottom pivot plate, be sure that the flush side is facing out and the three holes are toward the outside front of the door as shown.

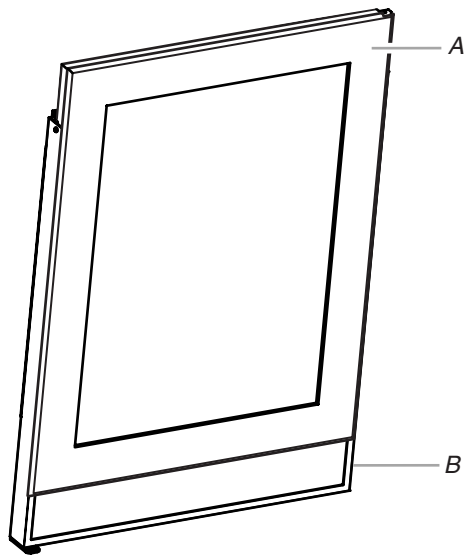


Assemble the Door

1. Slide the overlay panel assembly into the door frame.
2. Slide the cardboard spacer between the overlay panel assembly and the door frame.

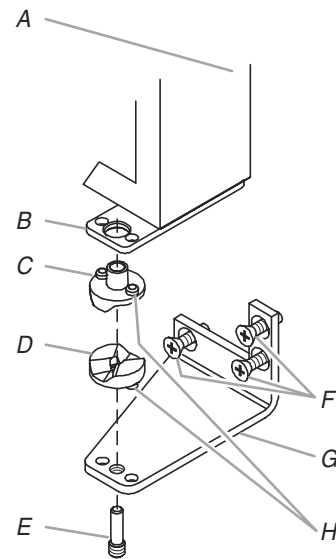
NOTE: The cardboard spacer provides a tighter fit between the overlay panel assembly and the door frame.

- Attach the top trim piece to the door frame using the two screws set aside earlier.



A. Overlay panel assembly
B. Door frame

- Be sure to properly align the door closer-top bosses with the holes in the hinge plate.



A. Door frame
B. Pivot plate
C. Door closer-top
D. Door closer-bottom
E. Pivot post
F. #8-32 x 1/2" flat-head screws
G. Bottom hinge
H. Bosses

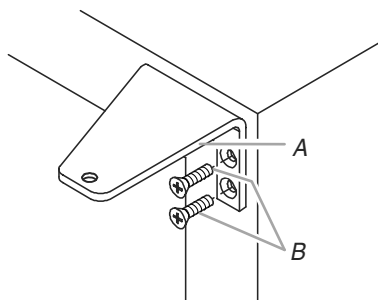
Reinstall the Gasket

- Starting at the corners and working toward the center of each side of the door, push the door gasket back into place.
- Be sure the door gasket is fully installed on all four sides of the door.

Install the Door

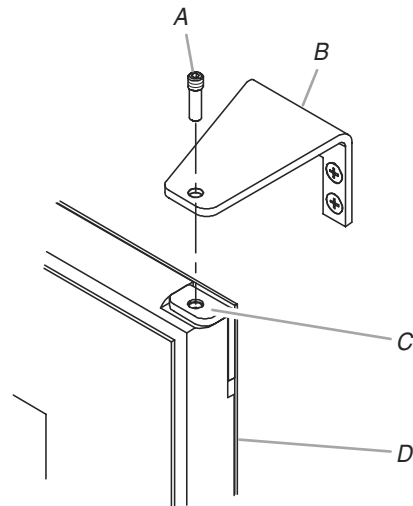
IMPORTANT: To ensure proper operation, the pivot posts must be clean; and the closers must be clean and greased with petroleum jelly.

- Use two #8-32 x 1/2" flat-head screws to attach the top hinge to the refrigerator.
- Insert the pivot post into the top hinge as shown.



A. Top hinge
B. Screws

- Position the door frame onto the door closer assembly on the bottom hinge. Using a 7/64" Allen wrench, tighten pivot post securely.
- Position the door frame and install the pivot post on the top hinge. Using a 7/64" Allen wrench, secure the pivot post.



A. Pivot post
B. Top hinge
C. #8-32 x 1/2" flat-head screws
D. Top pivot plate
E. Door frame

- Use three #8-32 x 1/2" flat-head screws to attach the bottom hinge to the refrigerator.
- Insert the pivot post into the bottom hinge.
- Clean thoroughly and apply petroleum jelly to the mating surfaces of the closers. Install the door closer-bottom and door closer-top.

IMPORTANT:

- Be sure to properly align the door closer-bottom bosses with the holes in the bottom hinge.

- Adjust the door frame as needed for proper closure. See "Door Closing."

Door Closing

Door Closing

Your refrigerator has four leveling legs. If your refrigerator seems unsteady or you want the door to close more easily, adjust the refrigerator's tilt using the instructions below.

⚠ WARNING



Electrical Shock Hazard

Plug into a grounded 3 prong outlet.

Do not remove ground prong.

Do not use an adapter.

Do not use an extension cord.

Failure to follow these instructions can result in death, fire, or electrical shock.

1. Plug into a grounded 3 prong outlet.

⚠ WARNING

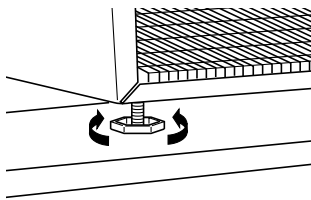
Excessive Weight Hazard

Use two or more people to move and install refrigerator.

Failure to do so can result in back or other injury.

2. Move the refrigerator into its final location.
3. Turn the leveling legs to the right to lower the refrigerator or turn the leveling legs to the left to raise it. It may take several turns of the leveling legs to adjust the tilt of the refrigerator.

NOTE: Having someone push against the top of the refrigerator takes some weight off the leveling legs. This makes it easier to adjust the leveling legs.

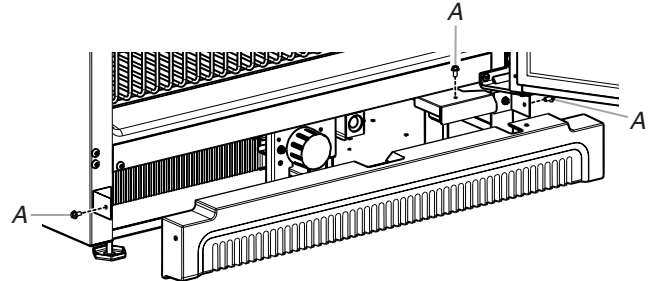


4. Open the door and check to make sure that it closes as easily as you like. If not, tilt the refrigerator slightly more to the rear by turning both front leveling screws to the right. It may take several more turns, and you should turn both leveling legs the same amount.

Base Grille

Remove the Base Grille:

1. Open the refrigerator door.
2. Using a Phillips screwdriver, remove the screws attaching the base grille to the refrigerator.
3. Pull the base grille toward you.



A. Screws

Replace the Base Grille:

1. Open the refrigerator door.
2. Position the base grille so that the holes are aligned with the refrigerator and replace the screws.

REFRIGERATOR USE

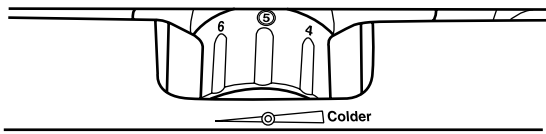
Normal Sounds

Your new refrigerator may make sounds that your old one didn't make. Because the sounds are new to you, you might be concerned about them. Most of the new sounds are normal. Hard surfaces, such as the flooring and surrounding structures, can make the sounds seem louder. The following describes the kinds of sounds and what may be making them.

- Your refrigerator is designed to run more efficiently to keep your food items at the desired temperatures and to minimize energy usage. The high efficiency compressor and fans may cause your refrigerator to run longer than your old one. You may also hear a pulsating or high-pitched sound from the compressor or fans adjusting to optimize performance.
- Rattling noises may come from the flow of refrigerant or items stored inside the refrigerator.
- As each cycle ends, you may hear a gurgling sound due to the refrigerant flowing in your refrigerator.
- You may hear water running into the drain pan when the refrigerator is defrosting.
- You may hear clicking sounds when the refrigerator starts or stops running.

Using the Control

For your convenience, your refrigerator control is preset at the factory. When you first install your refrigerator, make sure that the control is still preset to the mid-setting as shown.



Adjusting Controls

The mid-setting indicated in the previous section should be correct for normal usage. The control is set correctly when beverages are as cold as you like.

If you need to adjust the temperature, wait at least 24 hours between adjustments and then recheck the temperature.

To make the refrigerator colder, adjust the control to the next higher setting. To make the refrigerator less cold, adjust the control to the next lower setting.

REFRIGERATOR FEATURES

Important information to know about glass shelves and covers:

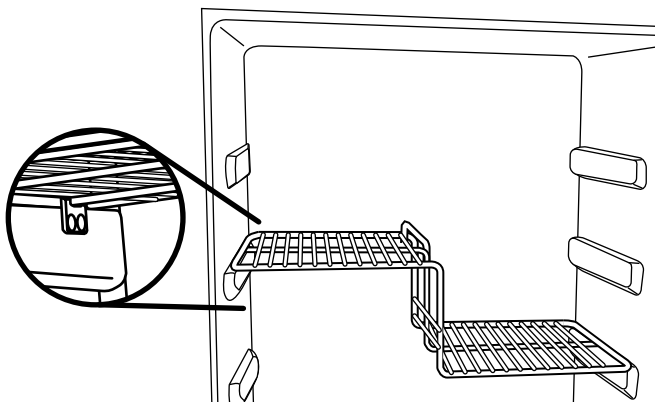
Do not clean glass shelves or covers with warm water when they are cold. Shelves and covers may break if exposed to sudden temperature changes or impact, such as bumping. For your protection, tempered glass is designed to shatter into many small, pebble-size pieces. This is normal. Glass shelves and covers are heavy. Use special care when removing them to avoid impact from dropping.

Split-level shelf

Your refrigerator has an adjustable split-level shelf for maximum storage capability.

To Remove and Replace Shelf:

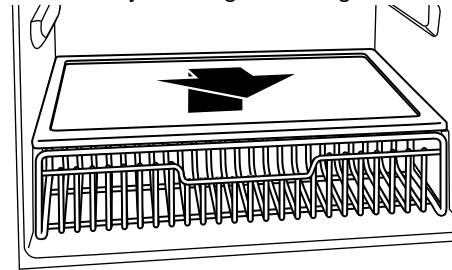
1. Remove the shelf by lifting it up out of the shelf clip.
2. Replace the shelf by aligning it over the clips and pressing it into place.



Lower Shelf

To Remove and Replace Lower Shelf:

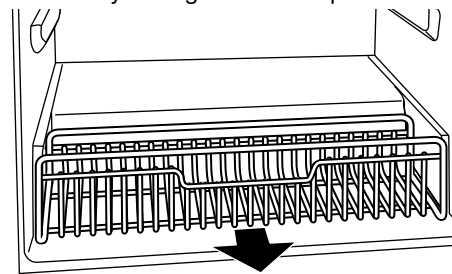
1. Remove the shelf by lifting it up and pulling it forward.
2. Replace the shelf by lowering it on the guides.



Wire Storage Bin

To Remove and Replace Wire Storage Bin:

1. Remove the bin by pulling it forward.
2. Replace the bin by sliding it back into place.

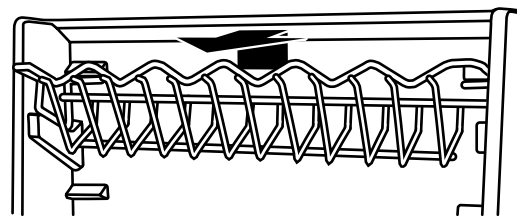


DOOR FEATURES

Can Rack

To Remove and Replace Can Rack

1. Remove the can rack by tilting it forward and pulling it out.
2. Replace the rack by placing the rear of the rack under the support on the door and sliding into place.

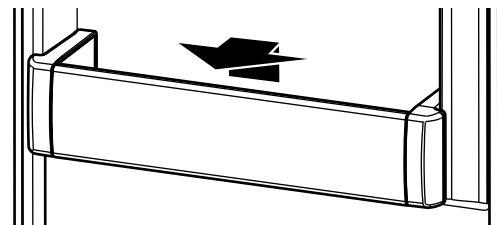


Door Bin

The door bin can be positioned either on the upper door or the lower door.

To Reposition the Door Bin:

1. Remove the door bin by tilting it forward and pulling it out.
2. Replace the bin by placing the rear of the bin under the support on the door and sliding into place.



REFRIGERATOR CARE

Cleaning

⚠ WARNING



Explosion Hazard

Use nonflammable cleaner.

Failure to do so can result in death, explosion, or fire.

Clean the refrigerator about once a month to prevent odors from building up. Wipe up spills immediately.

To clean your refrigerator:

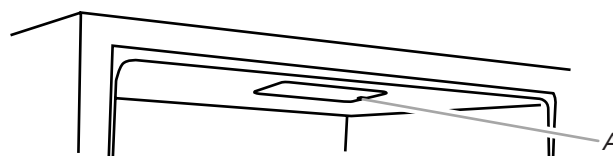
1. Unplug refrigerator or disconnect power.
 2. Remove all removable parts from inside, such as shelves, etc.
 3. Hand wash, rinse, and dry removable parts and interior surfaces thoroughly. Use a clean sponge or soft cloth and a mild detergent in warm water.
 - Do not use abrasive or harsh cleaners such as window sprays, scouring cleansers, flammable fluids, cleaning waxes, concentrated detergents, bleaches or cleansers containing petroleum products on plastic parts, interior and door liners or gaskets. Do not use paper towels, scouring pads, or other harsh cleaning tools. These can scratch or damage materials.
 - To help remove odors, you can wash interior walls with a mixture of warm water and baking soda (2 tbs to 1 qt [26 g to 0.95 L] of water).
 4. Wash exterior with a clean sponge or soft cloth and a mild detergent in warm water. Do not use abrasive or harsh cleaners. Dry thoroughly with a soft cloth.
 - To keep your stainless steel refrigerator looking like new and to remove minor scuffs or marks, it is suggested that you use the manufacturer's approved Stainless Steel Cleaner & Polish. To order the cleaner, see the "Accessories" section.
- IMPORTANT:** This cleaner is for stainless steel parts only!
- Do not allow the Stainless Steel Cleaner & Polish to come into contact with any plastic parts such as the trim pieces or door gaskets. If accidental contact does occur, clean plastic part with a sponge and mild detergent in warm water. Dry thoroughly with a soft cloth.
5. Replace the removable parts.
 6. Clean the condenser coils regularly. They are located behind the base grille. Coils may need to be cleaned as often as every other month. This may help save energy.
 - Remove the base grille. See "Base Grille."
 - Use a vacuum cleaner with an extended attachment to clean the condenser coils when they are dusty or dirty.
 - Replace the base grille.
 7. Plug in refrigerator or reconnect power.

Changing the Light Bulb

NOTE: Not all appliance bulbs will fit your refrigerator. Be sure to replace the bulb with one of the same size, shape, and wattage.

To change the light bulb:

1. Unplug refrigerator or disconnect power.
2. Slide the light shield toward the tab.
3. Press the tab down and lift the opposite end of the light shield up.
4. Replace the bulb.
5. Reinstall the light shield by inserting the tab end first. Then lower the light shield until it clicks into place.



A. Tab

6. Plug in refrigerator or reconnect power.

Vacation and Moving Care

Vacations

If you choose to leave the refrigerator on while you're away, use up any perishables and freeze other items.

If you choose to turn the refrigerator off before you leave, follow these steps.

1. Remove all food from the refrigerator.
2. Unplug the refrigerator.
3. Clean the refrigerator. See "Cleaning."
4. Tape a rubber or wood block to the top of the door to prop it open far enough for air to get in. This stops odor and mold from building up.

Moving

When you are moving your refrigerator to a new home, follow these steps to prepare it for the move.

1. Remove all food from the refrigerator.
2. Unplug the refrigerator.
3. Clean, wipe, and dry it thoroughly.
4. Take out all removable parts, wrap them well, and tape them together so they don't shift and rattle during the move.
5. Tape the doors shut and tape the power cord to the back of the refrigerator.

When you get to your new home, put everything back and refer to the "Installation Instructions" section for preparation instructions.

TROUBLESHOOTING

Try the solutions suggested here first in order to avoid the cost of an unnecessary service call.

Your refrigerator will not operate

- **Is the power supply cord unplugged?** Plug into a grounded 3 prong outlet.
- **Has a household fuse blown, or has a circuit breaker tripped?** Replace the fuse or reset the circuit.
- **Is the Refrigerator Control turned to the OFF position?** See “Using the Control.”

The lights do not work

- **Is the power supply cord unplugged?** Plug into a grounded 3 prong outlet.
- **Is a light bulb loose in the socket?** Unplug refrigerator or disconnect power. Gently remove the bulb and reinsert. Plug in refrigerator or reconnect power.
- **Has a light bulb burned out?** Replace with an appliance bulb of the same wattage, size, and shape. See “Changing the Light Bulb.”

There is water in the defrost drain pan

- **Is the refrigerator defrosting?** The water will evaporate. It is normal for water to drip into the defrost pan.
- **Is it more humid than normal?** Expect that the water in the defrost pan will take longer to evaporate. This is normal when it is hot or humid.

The motor seems to run too much

- **Is the temperature outside hotter than normal?** Expect the motor to run longer under warm conditions. At normal outdoor temperatures, expect your motor to run about 40% to 80% of the time. Under warmer conditions, expect it to run even more of the time.
- **Has a large amount of food just been added to the refrigerator?** Adding a large amount of food warms the refrigerator. It is normal for the motor to run longer in order to cool the refrigerator back down.
- **Is the door opened often?** Expect the motor to run longer when this occurs. In order to conserve energy, try to get everything you need out of the refrigerator at once, keep food organized so it is easy to find, and close the door as soon as the food is removed.
- **Is the control set correctly for the surrounding conditions?** See “Using the Control.”
- **Is the door closed completely?** Push the doors firmly shut. If they will not shut all the way, see “The door will not close completely” later in this section.
- **Are the condenser coils dirty?** This prevents air transfer and makes the motor work harder. Clean the condenser coils. See “Cleaning.”

Temperature is too warm

- **Is the door opened often?** Be aware that the refrigerator will warm when this occurs. In order to keep the refrigerator cool, try to get everything you need out of the refrigerator at once, keep food organized so it is easy to find, and close the door as soon as the food is removed.
- **Has a large amount of food just been added to the refrigerator?** Adding a large amount of food warms the refrigerator. It can take several hours for the refrigerator to return to the normal temperature.
- **Is the control set correctly for the surrounding conditions?** See “Using the Control.”
- **Is the base grille blocked?** For best performance, do not install the refrigerator behind a cabinet door or block the base grille.

There is interior moisture buildup

- **Is the door opened often?** To avoid humidity buildup, try to get everything you need out of the refrigerator at once, keep food organized so it is easy to find, and close the door as soon as the food is removed. When the door is opened, humidity from the room air enters the refrigerator. The more often the door is opened, the faster humidity builds up, especially when the room itself is very humid.
- **Is it humid?** It is normal for moisture to build up inside the refrigerator when the air is humid.
- **Is the food packaged correctly?** Check that all food is securely wrapped. Wipe off damp food containers before placing in the refrigerator.
- **Is the control set correctly for the surrounding conditions?** See “Using the Control.”

The door is difficult to open

- **Is the gasket dirty or sticky?** Clean the gasket and the surface that it touches. Rub a thin coat of paraffin wax on the gasket following cleaning.

The door will not close completely

- **Are food packages blocking the door open?** Rearrange containers so that they fit more tightly and take up less space.
- **Are the shelves out of position?** Put the shelves back into their correct positions. See “Refrigerator Use” for more information.
- **Is the gasket sticking?** Clean the gasket and the surface that it touches. Rub a thin coat of paraffin wax on the gasket following cleaning.

ASSISTANCE OR SERVICE

Before calling for assistance or service, please check "Troubleshooting." It may save you the cost of a service call. If you still need help, follow the instructions below.

When calling, please know the purchase date and the complete model and serial number of your appliance. This information will help us to better respond to your request.

If you need replacement parts

If you need to order replacement parts, we recommend that you only use factory specified replacement parts. Factory specified replacement parts will fit right and work right because they are made with the same precision used to build every new KITCHENAID® appliance.

To locate factory specified replacement parts in your area, call us or your nearest designated service center.

In the U.S.A.

Call the KitchenAid Customer eXperience Center toll free: **1-800-422-1230**.

Our consultants provide assistance with:

- Features and specifications on our full line of appliances.
- Installation information.
- Use and maintenance procedures.
- Accessory and repair parts sales.
- Specialized customer assistance (Spanish speaking, hearing impaired, limited vision, etc.).
- Referrals to local dealers, repair parts distributors, and service companies. KitchenAid designated service technicians are trained to fulfill the product warranty and provide after-warranty service, anywhere in the United States.

To locate the KitchenAid designated service company in your area, you can also look in your telephone directory Yellow Pages.

For further assistance

If you need further assistance, you can write to KitchenAid with any questions or concerns at:

KitchenAid Brand Home Appliances
Customer eXperience Center
553 Benson Road
Benton Harbor, MI 49022-2692

Please include a daytime phone number in your correspondence.

In Canada

Call the KitchenAid Canada Customer Interaction Centre toll free: **1-800-461-5681** Monday to Friday 8:00 a.m. - 6:00 p.m. (EST). Saturday 8:30 a.m. - 4:30 p.m. (EST).

Our consultants provide assistance with:

- Features and specifications on our full line of appliances.
- Referrals to local dealers.

For service in Canada

Call **1-800-807-6777**. KitchenAid Canada designated service technicians are trained to fulfill the product warranty and provide after-warranty service, anywhere in Canada.

For further assistance

If you need further assistance, you can write to KitchenAid Canada with any questions or concerns at:

KitchenAid Canada
Customer Interaction Centre
1901 Minnesota Court
Mississauga, Ontario L5N 3A7

Please include a daytime phone number in your correspondence.

Accessories

To order accessories, call **1-800-442-9991** and ask for the appropriate part number listed below or contact your authorized KitchenAid dealer. In Canada, call **1-800-807-6777**.

Stainless Steel Cleaner & Polish

Order Part #4396095

Can Rack

Order Part #4396788

KITCHENAID® REFRIGERATOR WARRANTY

ONE YEAR LIMITED WARRANTY

For one year from the date of purchase, when this major appliance is operated and maintained according to instructions attached to or furnished with the product, KitchenAid or KitchenAid Canada (hereafter "KitchenAid") will pay for factory specified parts and repair labor to correct defects in materials or workmanship. Service must be provided by a KitchenAid designated service company.

SECOND THROUGH FIFTH YEAR LIMITED WARRANTY ON CAVITY LINER AND SEALED REFRIGERATION SYSTEM PARTS AS LISTED

In the second through fifth years from the date of purchase, when this refrigerator is operated and maintained according to instructions attached to or furnished with the product, KitchenAid will pay for replacement or repair of the refrigerator/freezer cavity liner (including labor costs) if the part cracks due to defective materials or workmanship. Also, in the second through fifth years from the date of purchase, KitchenAid will pay for factory specified parts to correct defects in materials or workmanship in the sealed refrigeration system. These parts are: compressor, evaporator, condenser, dryer, and connecting tubing. Service must be provided by a KitchenAid designated service company.

ITEMS KITCHENAID WILL NOT PAY FOR

1. Service calls to correct the installation of your major appliance, to instruct you how to use your major appliance, to replace or repair house fuses or to correct house wiring or plumbing.
 2. Service calls to repair or replace appliance light bulbs, air filters or water filters. Those consumable parts are excluded from warranty coverage.
 3. Repairs when your major appliance is used for other than normal, single-family household use.
 4. Damage resulting from accident, alteration, misuse, abuse, fire, flood, acts of God, improper installation, installation not in accordance with electrical or plumbing codes, or use of products not approved by KitchenAid.
 5. Any food loss due to refrigerator or freezer product failures.
 6. Replacement parts or repair labor costs for units operated outside the United States or Canada.
 7. Pickup and delivery. This major appliance is designed to be repaired in the home.
 8. Repairs to parts or systems resulting from unauthorized modifications made to the appliance.
 9. Expenses for travel and transportation for product service in remote locations.
 10. The removal and reinstallation of your appliance if it is installed in an inaccessible location or is not installed in accordance with published installation instructions.
-

DISCLAIMER OF IMPLIED WARRANTIES; LIMITATION OF REMEDIES

CUSTOMER'S SOLE AND EXCLUSIVE REMEDY UNDER THIS LIMITED WARRANTY SHALL BE PRODUCT REPAIR AS PROVIDED HEREIN. IMPLIED WARRANTIES, INCLUDING WARRANTIES OF MERCHANTABILITY OR FITNESS FOR A PARTICULAR PURPOSE, ARE LIMITED TO ONE YEAR OR THE SHORTEST PERIOD ALLOWED BY LAW. KITCHENAID SHALL NOT BE LIABLE FOR INCIDENTAL OR CONSEQUENTIAL DAMAGES. SOME STATES AND PROVINCES DO NOT ALLOW THE EXCLUSION OR LIMITATION OF INCIDENTAL OR CONSEQUENTIAL DAMAGES, OR LIMITATIONS ON THE DURATION OF IMPLIED WARRANTIES OF MERCHANTABILITY OR FITNESS, SO THESE EXCLUSIONS OR LIMITATIONS MAY NOT APPLY TO YOU. THIS WARRANTY GIVES YOU SPECIFIC LEGAL RIGHTS AND YOU MAY ALSO HAVE OTHER RIGHTS, WHICH VARY FROM STATE TO STATE OR PROVINCE TO PROVINCE.

Outside the 50 United States and Canada, this warranty does not apply. Contact your authorized KitchenAid dealer to determine if another warranty applies.

If you need service, first see the "Troubleshooting" section of the Use & Care Guide. After checking "Troubleshooting," additional help can be found by checking the "Assistance or Service" section or by calling KitchenAid. In the U.S.A., call **1-800-422-1230**. In Canada, call **1-800-807-6777**.

9/05

Keep this book and your sales slip together for future reference. You must provide proof of purchase or installation date for in-warranty service.

Write down the following information about your major appliance to better help you obtain assistance or service if you ever need it. You will need to know your complete model number and serial number. You can find this information on the model and serial number label located on the product.

Dealer name _____
Address _____
Phone number _____
Model number _____
Serial number _____
Purchase date _____

SÉCURITÉ DU RÉFRIGÉRATEUR

Votre sécurité et celle des autres est très importante.

Nous donnons de nombreux messages de sécurité importants dans ce manuel et sur votre appareil ménager. Assurez-vous de toujours lire tous les messages de sécurité et de vous y conformer.



Voici le symbole d'alerte de sécurité.

Ce symbole d'alerte de sécurité vous signale les dangers potentiels de décès et de blessures graves à vous et à d'autres.

Tous les messages de sécurité suivront le symbole d'alerte de sécurité et le mot "DANGER" ou "AVERTISSEMENT". Ces mots signifient :

⚠ DANGER

Risque possible de décès ou de blessure grave si vous ne suivez pas immédiatement les instructions.

⚠ AVERTISSEMENT

Risque possible de décès ou de blessure grave si vous ne suivez pas les instructions.

Tous les messages de sécurité vous diront quel est le danger potentiel et vous disent comment réduire le risque de blessure et ce qui peut se produire en cas de non-respect des instructions.

IMPORTANTES INSTRUCTIONS DE SÉCURITÉ

AVERTISSEMENT : Pour réduire les risques d'incendie, de choc électrique ou des blessures lors de l'utilisation du réfrigérateur, prendre quelques précautions fondamentales, y compris les suivantes :

- Brancher l'appareil sur une prise à 3 alvéoles reliée à la terre.
- Ne pas enlever la broche de liaison à la terre.
- Ne pas utiliser un adaptateur.
- Ne pas utiliser un câble de rallonge.
- Utiliser deux ou plus de personnes pour déplacer et installer le réfrigérateur.
- Débrancher la source de courant électrique avant l'entretien.
- Replacer pièces et panneaux avant de faire la remise en marche.
- Utiliser un produit de nettoyage ininflammable.
- Garder les matériaux et les vapeurs inflammables, telle que l'essence, loin du réfrigérateur.
- Enlever les portes de votre vieux réfrigérateur.

CONSERVEZ CES INSTRUCTIONS

Mise au rebut de votre vieux réfrigérateur

⚠ AVERTISSEMENT

Risque de suffoquer

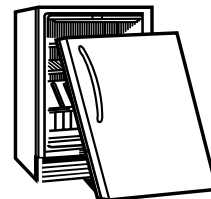
Enlever les portes de votre vieux réfrigérateur.

Le non-respect de cette instruction peut causer un décès ou des lésions cérébrales.

IMPORTANT : L'emprisonnement et l'étouffement des enfants ne sont pas un problème du passé. Les réfrigérateurs jetés ou abandonnés sont encore dangereux, même s'ils sont laissés abandonnés pendant "quelques jours seulement". Si vous vous débarrassez de votre vieux réfrigérateur, veuillez suivre les instructions suivantes pour aider à éviter les accidents.

Avant de jeter votre vieux réfrigérateur ou congélateur :

- Enlever les portes.
- Laisser les tablettes en place de sorte que les enfants ne peuvent pas y pénétrer facilement.



EXIGENCES D'INSTALLATION

Outillage et pièces

OUTILLAGE NÉCESSAIRE :

Rassembler les outils et pièces nécessaires avant de commencer l'installation.

Lire et suivre les instructions fournies avec les outils indiqués ici.

- Perceuse manuelle ou électrique (liaison à la terre correcte)
- Foret de $\frac{7}{64}$ "
- Foret de $\frac{5}{16}$ "
- Fer à chanfrein
- Foret n° 16
- Foret n° 7
- Clé Allen $\frac{7}{64}$ "
- Tournevis Phillips
- Tournevis à lame plate
- Ciseaux
- Ruban adhésif de masquage
- Mètre-ruban
- Vaseline

PIÈCES NÉCESSAIRES :

Panneau décoratif personnalisé—Voir "Dimensions du panneau décoratif".

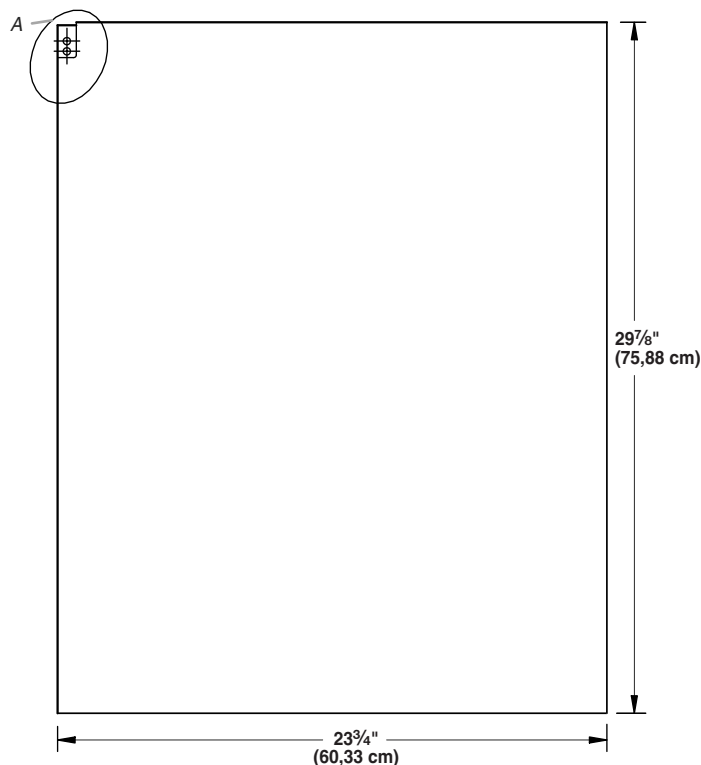
Quincaillerie (Option)

PIÈCES FOURNIES :

- Cheville de nylon 8 mm (2)
- Cale d'espacement de nylon diam. $\frac{3}{8}$ " x épaisseur 0,19 (8)
- Plaque d'espacement en carton
- Plaque de pivot - bois
- Plaque de pivot supérieure
- Bride de pivotement supérieure
- Cheville de pivotement (2)
- Charnière inférieure
- Charnière supérieure
- Vis n° 6 x $\frac{1}{2}$ ", tête plate (2)
- Vis n° 10 x $\frac{5}{8}$ ", tête ronde (8)
- Vis n° 8—32 x $\frac{3}{8}$ ", Allen (2)
- Vis n° 8—32 x $\frac{1}{2}$ ", tête plate (6)
- Ferme-porte - partie supérieure
- Ferme-porte - partie inférieure

Panneau décoratif - Vue arrière

Pour la réalisation du panneau décoratif, utiliser les dimensions indiquées. La vue arrière du panneau décoratif présente une charnière pour ouverture à droite. Pour l'ouverture à gauche, l'illustration serait symétrique. Pour les autres dimensions, voir "Feuillure pour plaque de pivot".



A. Position de la plaque de pivot

Feuillure pour plaque de pivot

1. Usiner le sommet et l'arrière du panneau décoratif pour créer les feuillures pour la plaque de pivot - voir l'illustration.

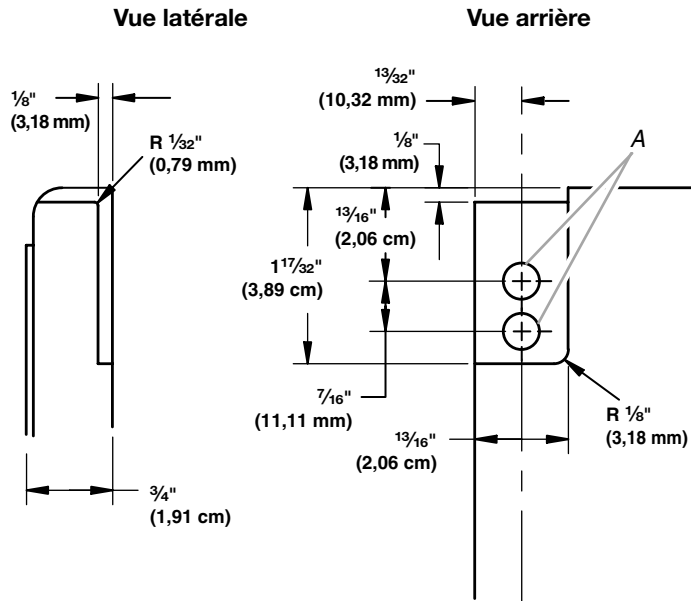
Panneau décoratif personnalisé

Pour l'installation d'un panneau décoratif personnalisé, l'installateur devra créer lui-même le panneau ou le faire réaliser par un ébéniste qualifié. Pour les spécifications du panneau, voir le dessin dimensionnel.

IMPORTANT :

- L'épaisseur du panneau de bois doit être de $\frac{3}{4}$ " (1,91 cm).
- Le poids du panneau décoratif ne doit pas dépasser 20 lb (9,07 kg).
- Un panneau décoratif de poids supérieur à la limite indiquée peut faire subir des dommages au réfrigérateur.
- Avant de créer un panneau décoratif personnalisé, déterminer la direction d'ouverture de la porte. Les cadres décoratifs personnalisés ont des charnières spécifiques. Un cadre conçu pour l'utilisation des charnières pour ouverture à droite ne peut recevoir des charnières pour ouverture à gauche. Voir "Panneau décoratif - Vue arrière".

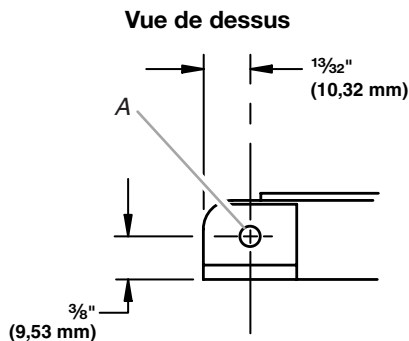
2. Percer deux trous de vis à l'arrière de la feuille qui recevra la plaque de pivot - voir l'illustration.



A. diam. 5/16" x
profondeur 1/2" (7,94
mm x 1,25 cm)

Trous pour charnière de porte

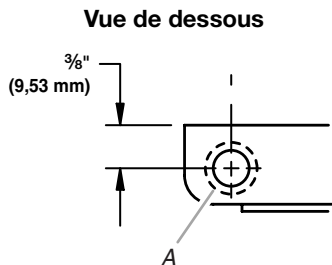
1. Avec un foret n° 16, percer un trou profond de 1 1/16" (1,75 cm) dans le sommet du panneau décoratif, pour la broche de la charnière supérieure - voir l'illustration.



A. Trou pour broche
de la charnière
supérieure

2. Percer un trou de diamètre 5/16" x profondeur 1/4" (7,94 mm x 6,35 mm) dans l'élément inférieur du panneau décoratif, pour la charnière inférieure - voir l'illustration.

REMARQUE : CHANFREIN 1/32" (0,79 mm) x 45°.



A. Trou pour broche de la
charnière inférieure

Emplacement d'installation

⚠ AVERTISSEMENT



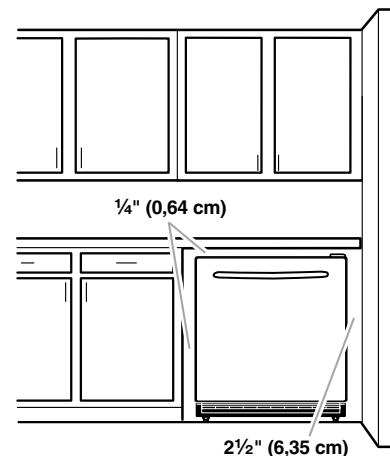
Risque d'explosion

Garder les matériaux et les vapeurs inflammables, telle que l'essence, loin du réfrigérateur.

Le non-respect de cette instruction peut causer un décès, une explosion ou un incendie.

Pour obtenir une aération appropriée pour votre réfrigérateur, laisser un espace de 1/4" (0,64 cm) de chaque côté et au sommet. Si vous installez votre réfrigérateur près d'un mur fixe, laisser un espace minimum de 2 1/2" (6,35 cm) de chaque côté pour permettre à la porte de s'ouvrir sans obstruction.

REMARQUE : Il est recommandé de ne pas installer le réfrigérateur près d'un four, d'un radiateur ou de toute autre source de chaleur. Ne pas installer le réfrigérateur dans un endroit où la température baissera au-dessous de 55°F (13°C). Pour le meilleur rendement, ne pas installer le réfrigérateur derrière une porte d'armoire ni bloquer la grille de la base.



Spécifications électriques

⚠ AVERTISSEMENT



Risque de choc électrique

Brancher sur une prise à 3 alvéoles reliée à la terre.

Ne pas enlever la broche de liaison à la terre.

Ne pas utiliser un adaptateur.

Ne pas utiliser un câble de rallonge.

Le non-respect de ces instructions peut causer un décès, un incendie ou un choc électrique.

Avant de placer le réfrigérateur à son emplacement final, il est important de vous assurer d'avoir la connexion électrique appropriée.

Méthode recommandée de mise à la terre

Une source d'alimentation de 115 volts, 60 Hz, type 15 ou 20 ampères CA seulement, protégée par fusibles et adéquatement mise à la terre est nécessaire. Il est recommandé d'utiliser un circuit distinct pour alimenter uniquement votre réfrigérateur. Utiliser une prise murale qui ne peut pas être mise hors circuit à l'aide d'un commutateur. Ne pas utiliser un câble de rallonge.

REMARQUE : Avant d'exécuter tout type d'installation, nettoyage ou remplacement d'une ampoule d'éclairage, débrancher le réfrigérateur ou déconnecter la source de courant électrique.

Déballage du réfrigérateur

⚠ AVERTISSEMENT

Risque du poids excessif

Utiliser deux ou plus de personnes pour déplacer et installer le réfrigérateur.

Le non-respect de cette instruction peut causer une blessure au dos ou d'autre blessure.

Enlèvement des matériaux d'emballage

- Enlever le ruban adhésif et la colle des surfaces du réfrigérateur avant de le mettre en marche. Frotter une petite quantité de savon liquide pour la vaisselle sur l'adhésif avec les doigts. Rincer à l'eau tiède et essuyer.
- Ne pas utiliser d'instruments coupants, d'alcool à friction, de liquides inflammables ou de nettoyants abrasifs pour enlever le ruban adhésif ou la colle. Ces produits peuvent endommager la surface de votre réfrigérateur. Pour plus de renseignements, voir "Sécurité du réfrigérateur".

- Éliminer les matériaux d'emballage de la manière appropriée.

Déplacement de votre réfrigérateur :

Votre réfrigérateur est lourd. Lors du déplacement du réfrigérateur pour le nettoyage ou le service, veiller à protéger le plancher. Toujours tirer le réfrigérateur tout droit lors du déplacement. Ne pas incliner le réfrigérateur d'un côté ou de l'autre ni le "faire marcher" en essayant de le déplacer car le plancher pourrait être endommagé.

Nettoyage avant l'utilisation

Après avoir enlevé tous les matériaux d'emballage, nettoyer l'intérieur du réfrigérateur avant de l'utiliser. Voir les instructions de nettoyage dans "Entretien du réfrigérateur".

Importants renseignements à savoir au sujet des tablettes et des couvercles en verre :

Ne pas nettoyer les tablettes ou couvercles en verre avec de l'eau tiède quand ils sont froids. Les tablettes et les couvercles peuvent se briser s'ils sont exposés à des changements soudains de température ou à un impact tel que coup brusque. Pour votre protection, le verre trempé est conçu pour éclater en d'innombrables pièces minuscules. Ceci est normal. Les tablettes et les couvercles en verre sont lourds. Un soin spécial s'impose lors de leur déplacement pour éviter l'impact d'une chute.

Installation du panneau décoratif personnalisé

IMPORTANT :

- Créer le panneau décoratif personnalisé selon les spécifications de la section "Panneau décoratif personnalisé".
- KitchenAid n'assume aucune responsabilité pour la dépose ou l'addition de cadres décoratifs qui empêcheraient une intervention de réparation sur le réfrigérateur.

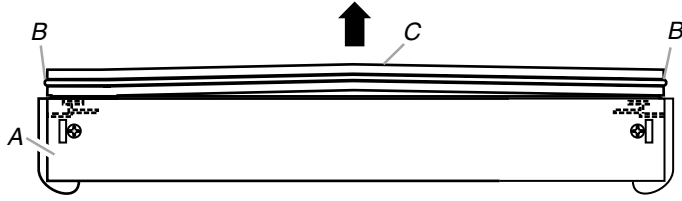
Dépose de la porte

1. Avec une clé Allen de $\frac{7}{64}$ " , ôter la vis de blocage de la charnière supérieure.
2. Incliner la porte vers l'avant et la soulever pour la séparer de la broche de charnière inférieure. Retirer la porte du réfrigérateur. Jeter les charnières supérieure et inférieure.

Dépose du joint

1. Placer la porte du réfrigérateur sur une surface de travail propre et douce, joint orienté vers le haut.

2. Ôter le joint de la porte. Pour éviter de déchirer le joint, tirer doucement pour l'extraire de la porte, en commençant au milieu et en progressant vers les angles.

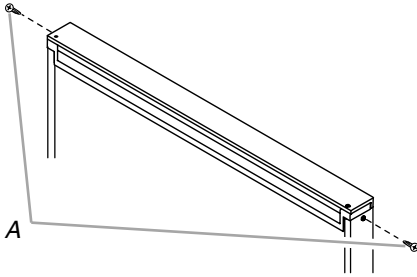


A. Porte
B. Joint—outside edges
C. Joint—middle

Dépose du panneau métallique

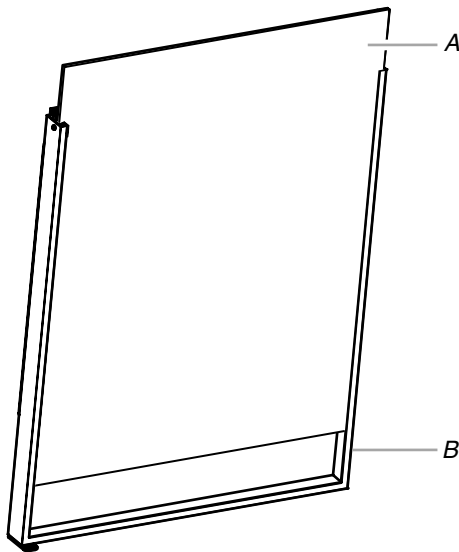
1. Retirer les deux vis de part et d'autre de la pièce de garniture supérieure. Enlever la pièce de garniture supérieure.

REMARQUE : Ne pas jeter les deux vis; elles seront réutilisées pour l'assemblage de la porte.



A. Vis

2. Soulever le panneau métallique pour l'extraire du châssis de porte - voir l'illustration.

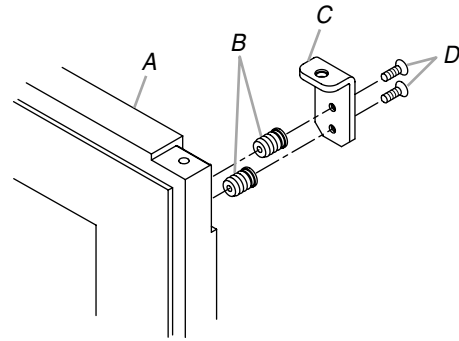


A. Panneau métallique
B. Châssis de porte

3. Conserver la panneau métallique à part pour réutilisation. Voir "Installation du panneau décoratif sur le panneau métallique".

Installation de la plaque de pivot

1. Insérer les chevilles de nylon dans les deux trous percés sur le panneau décoratif.
2. Utiliser deux vis n° 6 pour fixer la plaque de pivot au sommet du panneau décoratif - voir l'illustration.

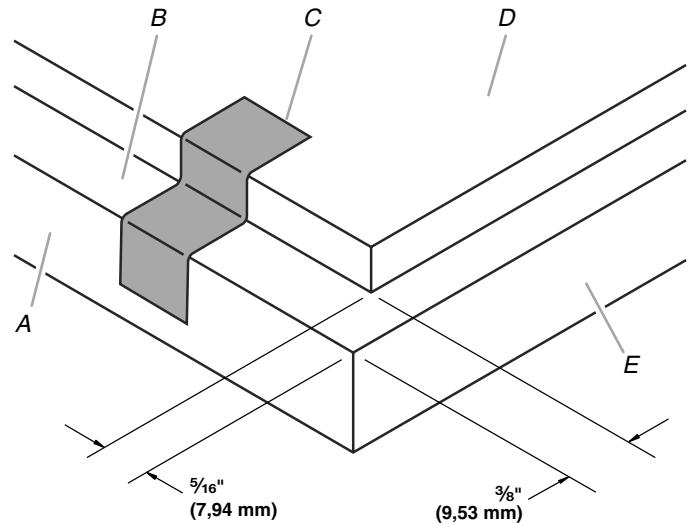


A. Panneau décoratif
B. Chevilles de nylon 8mm
C. Plaque de pivot
D. Vis n° 6 x 5/8", tête plate

3. Si nécessaire, fixer la poignée (option) sur le panneau décoratif.

Installation du panneau décoratif sur le panneau métallique

1. Placer le panneau décoratif sur une surface propre et douce, face vers le bas.
2. Assujettir le panneau métallique sur le panneau décoratif avec du ruban adhésif de masquage (face avant du métal contre l'arrière du panneau décoratif).

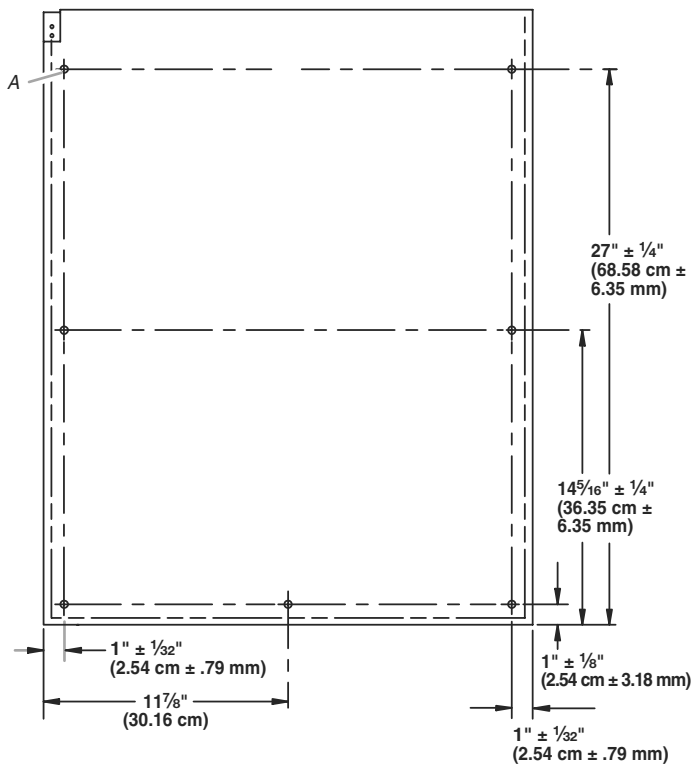


A. Côté du panneau décoratif
B. Arrière du panneau décoratif
C. Ruban adhésif de masquage
D. Panneau métallique
E. Bas du panneau décoratif

- Percer sept trous de $\frac{5}{32}$ " x profondeur $\frac{3}{8}$ " (3,97mm x 9,53 mm) à travers les deux panneaux - voir l'illustration.

IMPORTANT :

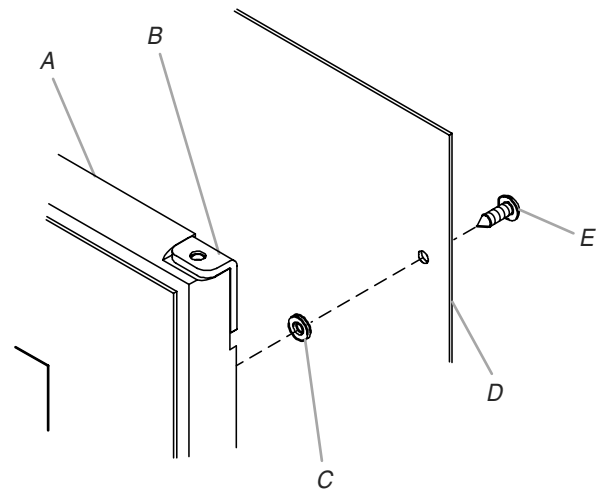
- Ne pas percer à une profondeur supérieure à $\frac{3}{8}$ " (9,53 mm).
- Pour une manoeuvre correcte de la porte, aligner correctement le panneau métallique et le panneau décoratif.



A. Trous percés

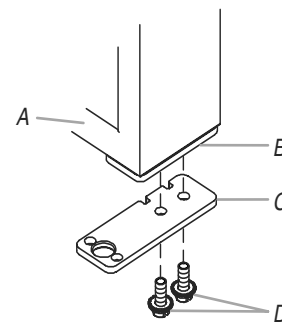
- Ôter les morceaux de ruban adhésif du panneau décoratif.
- Séparer le panneau décoratif du panneau métallique. Conserver le panneau décoratif pour utilisation ultérieure.
- Avec un foret n° 7, agrandir les sept trous percés dans le panneau métallique.
- Placer les cales d'espacement de nylon entre le panneau métallique et le panneau décoratif.

- Avec les huit vis n° 10 x $\frac{5}{8}$ " (tête ronde), fixer le panneau décoratif sur le panneau métallique - voir l'illustration.



A. Panneau décoratif
B. Plaque de pivot
C. Cale d'espacement de nylon
D. Panneau métallique
E. Vis n° 10 x $\frac{5}{8}$ ", tête ronde

- Enlever et jeter la plaque de pivot inférieure existante. Installer la nouvelle plaque de pivot inférieure. Lors de l'installation de la plaque de pivot inférieure, veiller à orienter la face lisse vers l'extérieur et à orienter les trois trous vers l'avant du panneau de porte - voir l'illustration.



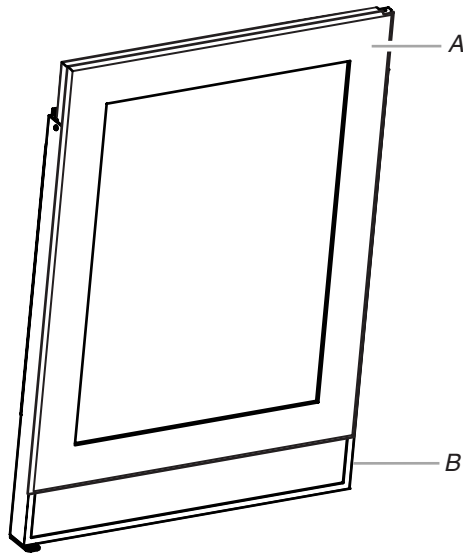
A. Porte
B. Plaque de pivot inférieure existante
C. Plaque de pivot inférieure
D. Vis n° 8-32 x $\frac{3}{8}$ ", tête hexagonale

Assemblage de la porte

- Insérer le panneau décoratif dans le châssis de porte.
- Insérer la plaque d'espacement en carton entre le panneau décoratif et le châssis de porte.

REMARQUE : La plaque d'espacement en carton permet un ajustement serré entre le panneau décoratif et le cadre de porte.

- Réinstaller la pièce de garniture supérieure sur le châssis de porte - utiliser les deux vis enlevées précédemment.



A. Panneau décoratif
B. Châssis de porte

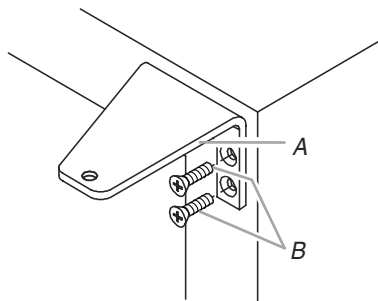
Réinstallation du joint

- Commencer dans les angles et progresser vers le centre; enfoncer le joint de porte dans la rainure.
- Veiller à ce que le joint de porte soit totalement installé sur les quatre côtés de la porte.

Installation de la porte

IMPORTANT : Pour garantir un bon fonctionnement, il faut que les chevilles de pivotement soient propres, et que les composants du ferme-porte soient propres et graissés avec de la vaseline.

- Utiliser deux vis n° 8—32 x 1/2" (tête plate) pour fixer la charnière supérieure au réfrigérateur.
- Insérer la cheville de pivotement dans la charnière supérieure - voir l'illustration.



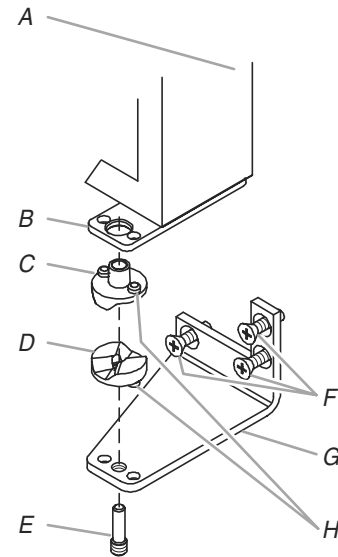
A. Charnière supérieure
B. Vis

- Utiliser trois vis n° 8—32 x 1/2" (tête plate) pour fixer la charnière inférieure au réfrigérateur.
- Insérer la cheville de pivotement dans la charnière inférieure.
- Nettoyer parfaitement le dispositif de fermeture et appliquer de la vaseline sur les surfaces de contact. Installer les parties inférieure et supérieure du ferme-porte.

IMPORTANT :

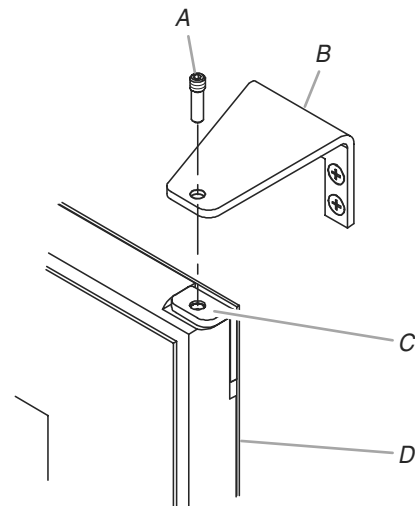
- Veiller à aligner correctement les pitons du ferme-porte inférieur avec les trous de la charnière inférieure.

- Veiller à aligner correctement les pitons du ferme-porte supérieur avec les trous de la plaque de charnière.



A. Châssis de porte
B. Plaque de pivot
C. Ferme-porte - partie supérieure
D. Ferme-porte - partie inférieure
E. Cheville de pivotement
F. Vis n° 8—32 x 1/2", tête plate
G. Charnière inférieure
H. Pitons

- Positionner le châssis de porte sur le ferme-porte, sur la cheville de charnière inférieure. Avec une clé Allen de 7/64", serrer la vis de calage de la cheville de pivotement.
- Positionner le châssis de porte et installer la cheville de pivotement sur la charnière supérieure. Utiliser une clé Allen de 7/64" pour fixer la cheville de pivotement.



A. Cheville de pivotement
B. Charnière supérieure
C. Vis n° 8—32 x 1/2", tête plate
D. Plaque de pivot supérieure
E. Châssis de porte

- Ajuster le châssis de porte selon le besoin pour obtenir une bonne fermeture. Voir "Fermeture de porte".

Fermeture de la porte

Fermeture de la porte

Le réfrigérateur dispose de quatre pieds de nivellement. Si le réfrigérateur semble instable ou si vous désirez que la porte se ferme plus facilement, ajuster l'inclinaison du réfrigérateur en observant les instructions ci-dessous :

⚠ AVERTISSEMENT



Risque de choc électrique

Brancher sur une prise à 3 alvéoles reliée à la terre.

Ne pas enlever la broche de liaison à la terre.

Ne pas utiliser un adaptateur.

Ne pas utiliser un câble de rallonge.

Le non-respect de ces instructions peut causer un décès, un incendie ou un choc électrique.

1. Brancher l'appareil sur une prise à 3 alvéoles reliée à la terre.

⚠ AVERTISSEMENT

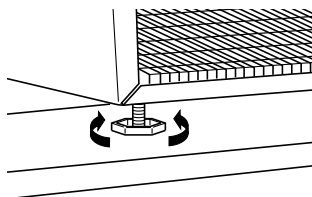
Risque du poids excessif

Utiliser deux ou plus de personnes pour déplacer et installer le réfrigérateur.

Le non-respect de cette instruction peut causer une blessure au dos ou d'autre blessure.

2. Déplacer le réfrigérateur à sa position finale.
3. Tourner les pieds de nivellement vers la droite pour abaisser le réfrigérateur ou tourner les pieds de nivellement vers la gauche pour le lever. Il peut être nécessaire de tourner les pieds de nivellement plusieurs fois pour ajuster l'inclinaison du réfrigérateur.

REMARQUE : Si une autre personne pousse le haut du réfrigérateur, le poids devient moins lourd sur les pieds de nivellement, ce qui rend plus facile l'ajustement des pieds de nivellement.

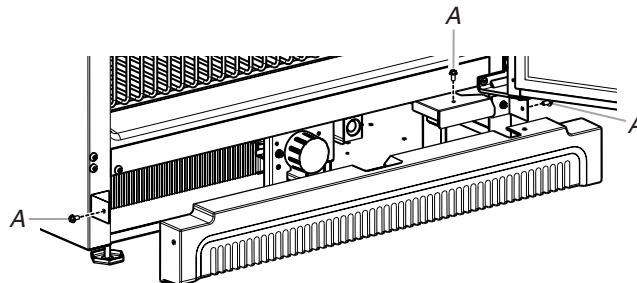


4. Ouvrir la porte et s'assurer qu'elle ferme comme vous le désirez. Sinon, incliner le réfrigérateur un peu plus vers l'arrière en tournant les deux vis de nivellement avant vers la droite. Plusieurs tours peuvent être nécessaires et il convient de tourner les deux vis de nivellement de façon égale.

Grille de la base

Retirer la grille de la base :

1. Ouvrir la porte du réfrigérateur.
2. À l'aide d'un tournevis Phillips, retirer les vis fixant la grille de la base à la caisse du réfrigérateur.
3. Tirer la grille de la base vers vous.



A. Vis

Réinstaller la grille de la base :

1. Ouvrir la porte du réfrigérateur.
2. Placer la grille de la base de manière à ce que les trous soient alignés avec le réfrigérateur et réinstaller les vis.

UTILISATION DU RÉFRIGÉRATEUR

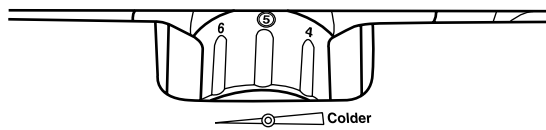
Sons normaux

Il est possible que le réfrigérateur neuf émette des sons que l'appareil précédent ne produisait pas. Comme ces sons sont nouveaux, ils peuvent vous inquiéter. La plupart de ces nouveaux sons sont normaux. Les sons peuvent vous sembler plus forts avec des surfaces dures telles que le plancher et les structures adjacentes. Les descriptions suivantes indiquent les genres de sons et leur cause possible.

- Votre réfrigérateur est conçu pour fonctionner plus efficacement afin de conserver les aliments aux températures désirées et pour minimiser la consommation d'énergie. Le compresseur et les ventilateurs très efficaces peuvent faire fonctionner votre réfrigérateur plus longtemps que l'ancien. Il se peut également que vous entendiez un bruit saccadé ou aigu provenant du compresseur ou des ventilateurs qui s'ajustent pour optimiser la performance.
- Des vibrations sonores peuvent provenir de l'écoulement du réfrigérant ou d'articles placés dans le réfrigérateur.
- À la fin de chaque programme, vous pouvez entendre un gargouillement attribuable au réfrigérant qui se trouve dans votre réfrigérateur.
- Vous pouvez entendre l'écoulement de l'eau dans le plat de récupération d'eau de dégivrage lorsque le réfrigérateur dégivre.
- Vous pouvez entendre des déclics lorsque le réfrigérateur se met en marche ou s'arrête.

Utilisation de la commande

Pour votre commodité, la commande du réfrigérateur est préréglée à l'usine. Lors de l'installation initiale du réfrigérateur, s'assurer que la commande est encore préréglée au réglage moyen tel qu'illustré.



Ajustement des commandes

Les réglages moyens indiqués à la section précédente devraient convenir pour une utilisation normale du réfrigérateur. La commande est réglée correctement lorsque les boissons sont à la température idéale.

S'il est nécessaire d'ajuster la température, attendre au moins 24 heures entre chaque ajustement puis revérifier la température.

Pour rendre le réfrigérateur plus froid, ajuster la commande au réglage plus élevé suivant. Pour rendre le réfrigérateur moins froid, ajuster la commande au réglage plus bas suivant.

CARACTÉRISTIQUES DU RÉFRIGÉRATEUR

Importants renseignements à savoir au sujet des tablettes et des couvercles en verre :

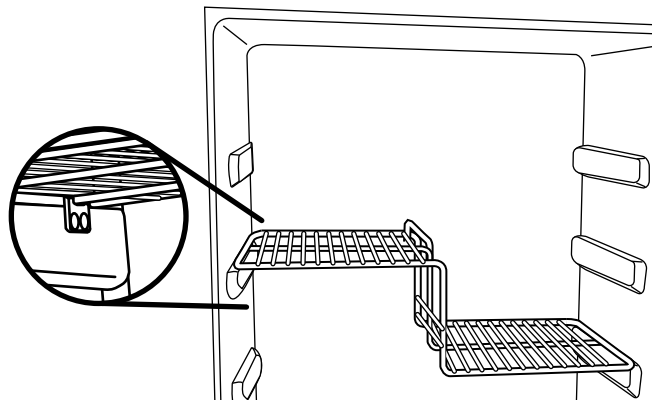
Ne pas nettoyer les tablettes ou couvercles en verre avec de l'eau tiède quand ils sont froids. Les tablettes et les couvercles peuvent se briser s'ils sont exposés à des changements soudains de température ou à un impact tel que coup brusque. Pour votre protection, le verre trempé est conçu pour éclater en d'innombrables pièces minuscules. Ceci est normal. Les tablettes et les couvercles en verre sont lourds. Un soin spécial s'impose lors de leur déplacement pour éviter l'impact d'une chute.

Tablette à deux niveaux

Le réfrigérateur comporte une tablette ajustable à deux niveaux pour une capacité de rangement maximale.

Pour enlever et réinstaller la tablette :

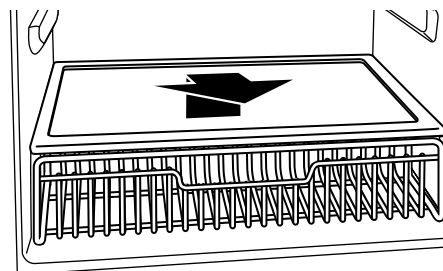
1. Ôter la tablette en la soulevant hors de l'agrafe de la tablette.
2. Réinstaller la tablette en l'alignant sur les agrafes et en appuyant pour la fixer en place.



Tablette inférieure

Pour enlever et réinstaller la tablette inférieure :

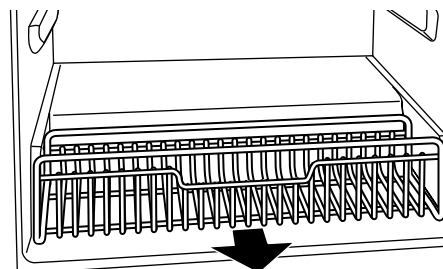
1. Enlever la tablette en la soulevant et en tirant vers l'avant.
2. Réinstaller la tablette en l'abaissant sur les guides.



Compartiment de rangement métallique

Pour retirer et réinstaller le compartiment de rangement métallique :

1. Enlever le compartiment en le tirant vers l'avant.
2. Réinstaller le compartiment en le reglisant en place.

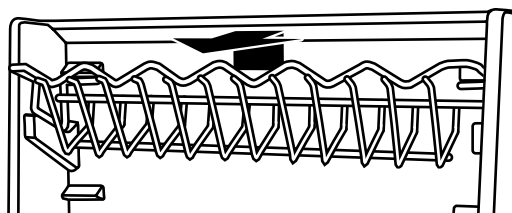


CARACTÉRISTIQUES DE LA PORTE

Porte-cannettes

Pour retirer et réinstaller le porte-cannettes

1. Enlever le porte-cannettes en l'inclinant vers l'avant pour le sortir.
2. Réinstaller le porte-cannettes en plaçant l'arrière du porte-cannettes sous le support de la porte et en le glissant en place.

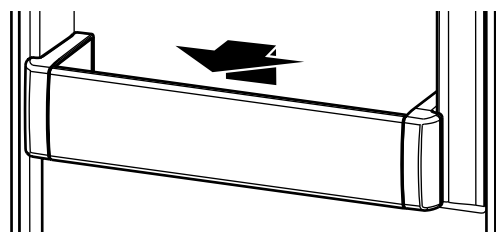


Balconnet de porte

Le balconnet de porte peut être positionné dans la partie supérieure de la porte ou dans la partie inférieure.

Pour réinstaller le balconnet de porte :

1. Enlever le balconnet de porte en l'inclinant vers l'avant pour le sortir.
2. Réinstaller le balconnet en plaçant l'arrière du balconnet sous le support de la porte et en le glissant en place.



ENTRETIEN DU RÉFRIGÉRATEUR

Nettoyage

⚠ AVERTISSEMENT



Risque d'explosion

Utiliser un produit de nettoyage ininflammable.

Le non-respect de cette instruction peut causer un décès, une explosion ou un incendie.

Nettoyer le réfrigérateur environ une fois par mois pour empêcher une accumulation d'odeurs. Essuyer les renversements immédiatement.

Nettoyage du réfrigérateur :

1. Débrancher le réfrigérateur ou déconnecter la source de courant électrique.
2. Retirer toutes les pièces amovibles de l'intérieur, telles que les tablettes, etc.
3. Laver à la main, rincer et sécher les pièces amovibles et les surfaces internes à fond. Utiliser une éponge propre ou un linge doux et un détergent doux dans de l'eau tiède.
 - Ne pas utiliser de nettoyants abrasifs tels que les nettoyants à vitre en atomiseurs, nettoyants à récurer, liquides inflammables, cires nettoyantes, détergents concentrés, eaux de Javel ou nettoyants contenant du pétrole sur les pièces en plastique, les garnitures intérieures et de portes ou les joints de portes. Ne pas utiliser d'essuie-tout, tampons à récurer ou autres outils de nettoyage abrasifs. Ces produits risquent d'égratigner ou d'endommager les matériaux.
 - Pour aider à éliminer les odeurs, on peut laver les parois intérieures avec un mélange d'eau tiède et de bicarbonate de soude (2 c. à soupe pour 1 pinte [26 g pour 0,95 L] d'eau).

4. Laver les surfaces extérieures avec une éponge propre ou un linge doux et un détergent doux dans de l'eau tiède. Ne pas utiliser de nettoyants abrasifs. Sécher parfaitement avec un linge doux.

- Pour que votre réfrigérateur en acier inoxydable conserve son aspect neuf et pour enlever les petites égratignures ou marques, il est suggéré d'utiliser le nettoyant et poli pour acier inoxydable approuvé par le fabricant. Pour commander le nettoyant, voir la section "Accessoires".

IMPORTANT : Ce nettoyant doit être utilisé sur les pièces en acier inoxydable uniquement!

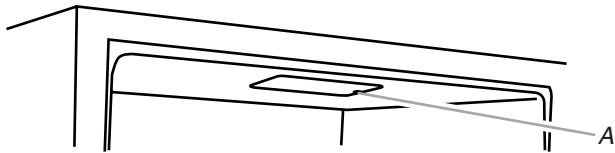
- Veiller à ce que le nettoyant et poli pour acier inoxydable n'entre pas en contact avec les pièces de plastique telles que garnitures ou joints de porte. En cas de contact accidentel, nettoyer la pièce de plastique avec une éponge et un détergent doux et de l'eau tiède. Sécher parfaitement avec un linge doux.
5. Remettre en place les parties amovibles.
 6. Nettoyer régulièrement les serpentins du condenseur. Ils sont situés derrière la grille de la base. Il se peut que les serpentins aient besoin d'être nettoyés tous les deux mois. Ce nettoyage peut aider à économiser de l'énergie.
 - Enlever la grille de la base. Voir "Grille de la base".
 - Employer un aspirateur avec un accessoire long pour nettoyer les serpentins du condenseur lorsqu'ils sont sales ou poussiéreux.
 - Réinstaller la grille de la base.
 7. Brancher le réfrigérateur ou reconnecter la source de courant électrique.

Changement de l'ampoule d'éclairage

REMARQUE : Toutes les ampoules pour appareils ménagers ne conviendront pas à votre réfrigérateur. Veiller à effectuer le remplacement par une ampoule de grosseur, de forme et de puissance semblables.

Changement de l'ampoule :

1. Débrancher le réfrigérateur ou déconnecter la source de courant électrique.
2. Faire glisser le protecteur d'ampoule vers l'onglet.
3. Appuyer sur l'onglet et soulever le côté opposé du protecteur d'ampoule.
4. Remettre l'ampoule en place.
5. Réinstaller le protecteur d'ampoule du côté de l'extrémité de l'onglet du protecteur, puis abaisser le protecteur pour le mettre en place (un déclic se fait entendre).



A. Onglet

6. Brancher le réfrigérateur ou reconnecter la source de courant électrique.

Précautions à prendre pour les vacances et avant un déménagement

Vacances

Si vous laissez votre réfrigérateur allumé pendant votre absence, consommer toutes les denrées périssables et congeler les autres aliments.

Si vous choisissez d'arrêter le réfrigérateur avant de partir, suivre ces étapes.

1. Enlever tous les aliments du réfrigérateur.
2. Débrancher le réfrigérateur.
3. Nettoyer le réfrigérateur. Voir "Nettoyage".
4. À l'aide d'un ruban adhésif, placer un bloc de caoutchouc ou de bois dans la partie supérieure de la porte de façon à ce qu'elle soit suffisamment ouverte pour permettre l'entrée de l'air à l'intérieur, afin d'éviter l'accumulation d'odeur ou de moisissure.

Déménagement

En cas de déménagement et de déplacement du réfrigérateur dans une nouvelle habitation, suivre ces étapes pour préparer le déménagement.

1. Enlever tous les aliments du réfrigérateur.
2. Débrancher le réfrigérateur.
3. Bien nettoyer, essuyer et sécher.
4. Retirer toutes les pièces amovibles, bien les envelopper et les attacher ensemble à l'aide de ruban adhésif pour qu'elles ne bougent pas ni ne s'entrechoquent durant le déménagement.
5. Fermer les portes à l'aide de ruban adhésif et fixer le cordon d'alimentation à la partie arrière du réfrigérateur.

Lorsque vous arriverez à votre nouvelle habitation, remettre tout en place et consulter la section "Instructions d'installation" pour les instructions de préparation.

DÉPANNAGE

Essayer les solutions suggérées ici d'abord afin d'éviter le coût d'une visite de service non nécessaire.

Votre réfrigérateur ne fonctionne pas

- **Le cordon d'alimentation électrique est-il débranché?**
Brancher l'appareil sur une prise à 3 alvéoles reliée à la terre.
- **Un fusible est-il grillé ou le disjoncteur s'est-il déclenché?**
Remplacer le fusible ou réenclencher le disjoncteur.
- **La commande du réfrigérateur est-elle réglée à la position OFF (arrêt)?** Voir "Utilisation de la commande".

Les ampoules ne fonctionnent pas

- **Le cordon d'alimentation électrique est-il débranché?**
Brancher l'appareil sur une prise à 3 alvéoles reliée à la terre.
- **Une ampoule est-elle desserrée dans la douille?**
Déconnecter le réfrigérateur de la source de courant électrique. Enlever délicatement l'ampoule et la réinsérer. Reconnecter ensuite le réfrigérateur à la source de courant électrique.
- **Une ampoule est-elle grillée?** La remplacer par une ampoule pour appareils ménagers de tension, de grosseur et de format similaires. Voir "Remplacement de l'ampoule d'éclairage".

Le plat de dégivrage contient de l'eau

- **Le réfrigérateur est-il en train de se dégivrer?** L'eau s'évaporerait. Il est normal que l'eau dégoutte dans le bac de dégivrage.
- **Y-a-t-il plus d'humidité que d'habitude?** Prévoir que l'eau dans le plat de dégivrage prendra plus de temps à s'évaporer. Ceci est normal quand il fait chaud ou humide.

Le moteur semble fonctionner excessivement

- **La température ambiante est-elle plus élevée que d'habitude?** Prévoir que le moteur fonctionnera plus longtemps dans des conditions de chaleur. Pour des températures extérieures normales, prévoir que le moteur fonctionne à peu près 40 % à 80 % du temps. Dans des conditions plus chaudes, prévoir un fonctionnement encore plus fréquent.
- **Vient-on d'ajouter une grande quantité d'aliments au réfrigérateur?** L'ajout d'une grande quantité d'aliments réchauffe le réfrigérateur. Il est normal que le moteur fonctionne plus longtemps afin de refroidir de nouveau le réfrigérateur.
- **La porte est-elle ouverte fréquemment?** Prévoir que le moteur fonctionnera plus longtemps dans ce cas. Afin de conserver l'énergie, essayer de sortir du réfrigérateur tout ce dont vous avez besoin en une fois, garder les aliments organisés de sorte qu'ils soient faciles à trouver et fermer la porte dès que les aliments ont été retirés.
- **Le réglage est-il correct pour les conditions existantes?** Voir "Utilisation de la commande".
- **La porte est-elle bien fermée?** Pousser les portes pour qu'elles soient bien fermées. Si elles ne ferment pas complètement, voir "La porte ne ferme pas complètement" plus loin dans cette section.

- **Les serpentins du condenseur sont-ils sales?** Cette situation empêche le transfert de l'air et fait travailler davantage le moteur. Nettoyer les serpentins du condenseur. Voir "Nettoyage".

La température est trop élevée

- **La porte est-elle ouverte fréquemment?** Prévoir que le réfrigérateur deviendra tiède dans ce cas. Pour garder le réfrigérateur froid, essayer de sortir du réfrigérateur tout ce dont vous avez besoin en une fois, garder les aliments organisés de sorte qu'ils soient faciles à trouver et fermer la porte dès que les aliments ont été retirés.
- **Vient-on d'ajouter une grande quantité d'aliments au réfrigérateur?** L'ajout d'une grande quantité d'aliments réchauffe le réfrigérateur. Plusieurs heures peuvent être nécessaires pour que le réfrigérateur revienne à la température normale.
- **Le réglage est-il correct pour les conditions existantes?** Voir "Utilisation de la commande".
- **La grille de la base est-elle bloquée?** Pour le meilleur rendement, ne pas installer le réfrigérateur derrière une porte d'armoire ni bloquer la grille de la base.

Il existe une accumulation d'humidité à l'intérieur

- **La porte est-elle ouverte fréquemment?** Pour éviter l'accumulation d'humidité, essayer de sortir du réfrigérateur tout ce dont vous avez besoin en une fois, garder les aliments organisés de sorte qu'ils soient faciles à trouver et fermer la porte dès que les aliments ont été retirés. Lorsque la porte est ouverte, l'humidité de l'air extérieur pénètre dans le réfrigérateur. Plus la porte est ouverte, plus l'humidité s'accumule rapidement, surtout lorsque la pièce est très humide.
- **La pièce est-elle humide?** Il est normal que de l'humidité s'accumule à l'intérieur du réfrigérateur lorsque l'air est humide.
- **Les aliments sont-ils bien emballés?** Vérifier que tous les aliments sont bien emballés. Essuyer les contenants humides avant de les placer dans le réfrigérateur.
- **Le réglage est-il correct pour les conditions existantes?** Voir "Utilisation de la commande".

La porte est difficile à ouvrir

- **Le joint est-il sale ou collant?** Nettoyer le joint et la surface avec laquelle il est en contact. Frotter en appliquant une fine couche de paraffine sur le joint après le nettoyage.

La porte ne ferme pas complètement

- **Les aliments emballés empêchent-ils la porte de fermer?** Réorganiser les contenants de sorte qu'ils soient plus rapprochés et prennent moins d'espace.
- **Les étagères sont-elles bien en place?** Remettre les étagères à la bonne position. Voir "Utilisation du réfrigérateur" pour plus de renseignements.
- **Le joint colle-t-il?** Nettoyer le joint et la surface avec laquelle il est en contact. Frotter en appliquant une fine couche de paraffine sur le joint après le nettoyage.

ASSISTANCE OU SERVICE

Avant de faire un appel pour assistance ou service, veuillez vérifier "Dépannage". Cette vérification peut vous faire économiser le coût d'une visite de service. Si vous avez encore besoin d'aide, suivre les instructions ci-dessous.

Lors d'un appel, veuillez connaître la date d'achat et les numéros de modèle et de série au complet de votre appareil. Ces renseignements nous aideront à mieux répondre à votre demande.

Si vous avez besoin de pièces de rechange

Si vous avez besoin de commander des pièces de rechange, nous vous recommandons d'utiliser seulement les pièces de rechange d'origine. Les pièces de rechange d'origine conviendront et fonctionneront bien parce qu'elles sont fabriquées selon les mêmes spécifications précises utilisées pour fabriquer chaque nouvel appareil KITCHENAID®.

Pour savoir où trouver des pièces de rechange dans votre région, nous appeler ou contacter le centre de service désigné le plus proche.

Aux États-Unis

Téléphoner sans frais au Centre pour l'eXpérience de la clientèle au : **1-800-422-1230**.

Nos consultants fournissent de l'assistance pour :

- Caractéristiques et spécifications de notre gamme complète d'appareils ménagers.
- Renseignements d'installation.
- Procédés d'utilisation et d'entretien.
- Vente d'accessoires et de pièces de rechange.
- Assistance spécialisée au client (langue espagnole, malentendants, malvoyants, etc.).
- Les références aux concessionnaires, compagnies de service de réparation et distributeurs de pièces de rechange locaux. Les techniciens de service désignés par KitchenAid sont formés pour remplir la garantie des produits et fournir un service après garantie partout aux États-Unis.

Pour localiser la compagnie de service désignée par Kitchen Aid dans votre région, vous pouvez également consulter les Pages jaunes.

Pour plus d'assistance

Si vous avez besoin de plus d'assistance, vous pouvez écrire à KitchenAid en soumettant toute question ou problème à :

KitchenAid Brand Home Appliances
Customer Interaction Center
553 Benson Road
Benton Harbor, MI 49022-2692

Dans votre correspondance, veuillez indiquer un numéro de téléphone où l'on peut vous joindre dans la journée.

Au Canada

Téléphoner sans frais au Centre d'interaction avec la clientèle de KitchenAid Canada au : **1-800-461-5681** du lundi au vendredi de 8 h à 18 h (HNE). Le samedi de 8 h 30 à 16 h 30 (HNE)

Nos consultants fournissent de l'assistance pour :

- Caractéristiques et spécifications de notre gamme complète d'appareils ménagers.
- Références aux concessionnaires locaux.

Pour service au Canada

Téléphoner au **1-800-807-6777**. Les techniciens de service désignés par KitchenAid Canada sont formés pour remplir la garantie des produits et fournir un service après garantie partout au Canada.

Pour plus d'assistance

Si vous avez besoin de plus d'assistance, vous pouvez écrire à KitchenAid Canada en soumettant toute question ou problème à :

KitchenAid Canada
Centre d'interaction avec la clientèle
1901 Minnesota Court
Mississauga, Ontario L5N 3A7

Dans votre correspondance, veuillez indiquer un numéro de téléphone où l'on peut vous joindre dans la journée.

Accessoires

Pour commander des accessoires, composer le **1-800-442-9991** et demander le numéro de pièce approprié ci-dessous ou contacter votre marchand autorisé KitchenAid. Au Canada, composer le **1-800-807-6777**.

Nettoyant et poli pour acier inoxydable

Commander la pièce n°4396095

Porte-cannettes

Commander la pièce n°4396788

GARANTIE DU RÉFRIGÉRATEUR KITCHENAID®

GARANTIE LIMITÉE DE UN AN

Pendant un an à compter de la date d'achat, lorsque ce gros appareil ménager est utilisé et entretenu conformément aux instructions jointes à ou fournies avec le produit, KitchenAid ou KitchenAid Canada (ci-après désignées "KitchenAid") paiera pour les pièces spécifiées par l'usine et la main-d'œuvre pour corriger les vices de matériaux ou de fabrication. Le service doit être fourni par une compagnie de service désignée par KitchenAid.

GARANTIE LIMITÉE DE LA DEUXIÈME À LA CINQUIÈME ANNÉE INCLUSIVEMENT SUR LA DOUBLURE DE LA CAVITÉ ET LES PIÈCES DU SYSTÈME DE RÉFRIGÉRATION SCELLÉ (VOIR LISTE)

De la deuxième à la cinquième année inclusivement à compter de la date d'achat, lorsque ce réfrigérateur est utilisé et entretenu conformément aux instructions jointes à ou fournies avec le produit, KitchenAid paiera pour le remplacement ou la réparation de la doublure de la cavité du réfrigérateur/congélateur (frais de main-d'œuvre inclus) si la pièce se fissure à cause de vices de matériaux ou de fabrication. De même, de la deuxième à la cinquième année inclusivement à partir de la date d'achat, KitchenAid paiera pour les pièces spécifiées par l'usine pour corriger les vices de matériaux ou de fabrication dans le système de réfrigération scellé. Il s'agit des pièces suivantes : compresseur, évaporateur, condenseur, séchoir et conduits de connexion. Le service doit être fourni par une compagnie de service désignée par KitchenAid.

KITCHENAID NE PRENDRA PAS EN CHARGE

1. Les visites de service pour rectifier l'installation du gros appareil ménager, montrer à l'utilisateur comment utiliser l'appareil, remplacer ou réparer des fusibles ou rectifier le câblage ou la plomberie du domicile.
2. Les visites de service pour réparer ou remplacer les ampoules électriques de l'appareil, les filtres à air ou les filtres à eau. Ces pièces consommables ne sont pas couvertes par la garantie.
3. Les réparations lorsque le gros appareil ménager est utilisé à des fins autres que l'usage unifamilial normal.
4. Les dommages imputables à : accident, modification, usage impropre ou abusif, incendie, inondation, actes de Dieu, installation fautive ou installation non conforme aux codes d'électricité ou de plomberie, ou l'utilisation de produits non approuvés par KitchenAid.
5. Toute perte d'aliments due à une défaillance du réfrigérateur ou du congélateur.
6. Le coût des pièces de rechange et de la main-d'œuvre pour les appareils utilisés hors des États-Unis ou du Canada.
7. Le ramassage et la livraison. Ce gros appareil ménager est conçu pour être réparé à domicile.
8. Les réparations aux pièces ou systèmes résultant d'une modification non autorisée faite à l'appareil.
9. Les frais de voyage ou de transport pour le service d'un produit dans les régions éloignées.
10. La dépose et la réinstallation de votre appareil si celui-ci est installé dans un endroit inaccessible ou n'est pas installé conformément aux instructions d'installation fournies.

CLAUDE D'EXONÉRATION DE RESPONSABILITÉ AU TITRE DES GARANTIES IMPLICITES; LIMITATION DES RECOURS

LE SEUL ET EXCLUSIF RECOURS DU CLIENT DANS LE CADRE DE LA PRÉSENTE GARANTIE LIMITÉE CONSISTE EN LA RÉPARATION PRÉVUE CI-DESSUS. LES GARANTIES IMPLICITES, Y COMPRIS LES GARANTIES APPLICABLES DE QUALITÉ MARCHANDE ET D'APTITUDE À UN USAGE PARTICULIER, SONT LIMITÉES À UN AN OU À LA PLUS COURTE PÉRIODE AUTORISÉE PAR LA LOI. KITCHENAID N'ASSUME AUCUNE RESPONSABILITÉ POUR LES DOMMAGES FORTUITS OU INDIRECTS. CERTAINES JURIDICTIONS NE PERMETTENT PAS L'EXCLUSION OU LA LIMITATION DES DOMMAGES FORTUITS OU INDIRECTS, OU LES LIMITATIONS DE LA DURÉE DES GARANTIES IMPLICITES DE QUALITÉ MARCHANDE OU D'APTITUDE À UN USAGE PARTICULIER, DE SORTE QUE CES EXCLUSIONS OU LIMITATIONS PEUVENT NE PAS S'APPLIQUER DANS VOTRE CAS. CETTE GARANTIE VOUS CONFÈRE DES DROITS JURIDIQUES SPÉCIFIQUES ET VOUS POUVEZ ÉGALEMENT JOUIR D'AUTRES DROITS QUI PEUVENT VARIER D'UNE JURIDICTION À UNE AUTRE.

À l'extérieur du Canada et des 50 États des États-Unis, cette garantie ne s'applique pas. Contacter votre marchand KitchenAid autorisé pour déterminer si une autre garantie s'applique.

Si vous avez besoin de service, voir d'abord la section "Dépannage" du Guide d'utilisation et d'entretien. Après avoir vérifié la section "Dépannage", de l'aide supplémentaire peut être trouvée en vérifiant la section "Assistance ou service" ou en appelant KitchenAid. Aux É.-U., composer le **1-800-422-1230**. Au Canada, composer le **1-800-807-6777**. 9/05

Conservez ce manuel et votre reçu de vente ensemble pour référence ultérieure. Pour le service sous garantie, vous devez présenter un document prouvant la date d'achat ou d'installation.

Inscrivez les renseignements suivants au sujet de votre gros appareil ménager pour mieux vous aider à obtenir assistance ou service en cas de besoin. Vous devrez connaître le numéro de modèle et le numéro de série au complet. Vous trouverez ces renseignements sur la plaque signalétique située sur le produit.

Nom du marchand _____

Adresse _____

Numéro de téléphone _____

Numéro de modèle _____

Numéro de série _____

Date d'achat _____

2300270

© 2005. All rights reserved.
Tous droits réservés.

® Registered Trademark/TM Trademark of KitchenAid, U.S.A., KitchenAid Canada licensee in Canada
© Marque déposée/TM Marque de commerce de KitchenAid, U.S.A., Emploi licencié par KitchenAid Canada au Canada

10/05
Printed in U.S.A.
Imprimé aux É.-U.